

The Contest JUG



NEWSLETTER OF THE
NORTHERN CALIFORNIA CONTEST CLUB
34456 COLEVILLE PLACE
FREMONT CA 94546

SEPTEMBER 1983

NUMBER 136

PRESIDENT: K6HNZ VP/CC: N6RI SECTY/TREAS: KC6D
DIRECTORS: K6KLY, W6OAT, W6SZN, K6TMB JUG Post PROD: K6HNZ JUG EDITOR: K6RU
COMMITTEES: CQP-K6XO AWARDS-KA6ING PROGRAM- MEMBERSHIP- FINANCE-

KB CQP!

COMING EVENTS

SEPTEMBER DINNER MEETING PROGRAM

CAM PIERCE, K6RU WILL PRESENT: "POLYNESIA REVISITED" INCLUDING:
TAHITIAN BAZAAR; VICTOR'S WILD VOYAGE
TO THE NORTH COOK ISLANDS; A \$11,000
CHILDS HAIRCUT AT NIUE ISLAND; AND
MUCH MORE! THE GALS WILL LIKE THIS ONE.

SEPT.25: NORTH AMERICAN SPRINT - SSB

OCT.24: NCCC MEETING, HAYWARD

SEPT.26: NCCC DINNER MEETING. CASA
MARIA, LOS ALTOS(SEE MAP), 6:30 PM

OCT.29-30: CQ WW DX CONTEST - PHONE

OCT.1-2: CALIFORNIA QSO PARTY

PRESIDENT KEN SAYS

OCTOBER MARKS THE BEGINNING OF ANOTHER CONTEST SEASON. STARTING THINGS OFF WITH A BANG IS OUR OWN CALIFORNIA QSO PARTY. EVERY YEAR THIS CONTEST GETS BIGGER AND BETTER AND THIS YEAR SHOULD CONTINUE. THIS, OF COURSE, IS DUE TO THE LARGE NUMBER OF CALIFORNIA STATIONS, BOTH NORTH AND SOUTH, WHO PARTICIPATE AND PUT MANY RARE COUNTIES ON THE AIR. ELSEWHERE IN THIS JUG YOU WILL FIND A LIST OF RARE COUNTIES THAT WILL BE ACTIVE THIS YEAR. THIS WILL MAKE FOR A GREAT CONTEST. ALL NCCC MEMBERS SHOULD PLAN TO PARTICIPATE FOR AT LEAST A FEW HOURS IN THIS, OUR OWN CONTEST. LET'S FILL THE BANDS WITH W6, K6, N6, ETC. CALLS. RULES ARE INCLUDED IN THIS ISSUE OF THE JUG. NOTE THE EARLIER STARTING TIME. THIS IS STRICTLY A LOW PRESSURE FUN CONTEST. DON'T MISS IT!

THE LAST WEEKEND IN OCTOBER MEANS CQ WW PHONE TO ALL DX CONTESTERS, INCLUDING THE NCCC AND OUR EASTERN COMPETITORS. OUR CLUB HAS DECLARED THE CQ WW OUR PRIMARY CONTESTING ACTIVITY FOR THIS SEASON, WITH THE OBJECTIVE OF REPEATING OUR 1981 CHAMPIONSHIP. THE SECOND OBJECTIVE IS 100% PARTICIPATION BY OUR MEMBERS. THE CQ WW IS WIDELY REGARDED AS THE WORLD SERIES OF CONTESTING AND NO CONTEST OPERATOR SHOULD MISS IT. IF YOU CAN'T MAKE AN ALL-OUT EFFORT, SET AN OBJECTIVE THAT FITS YOUR SCHEDULE AND DO IT. REMEMBER EVERY POINT IS IMPORTANT AS EVIDENCED BY OUR LESS THAN 1% VICTORY MARGIN IN 1981. LOG, SUMMARY AND IMPROVED DUPE SHEETS WILL BE AVAILABLE AT THE OCTOBER MEETING. MORE ON CQ WW PLANS AND ACTIVITIES ELSEWHERE IN THIS JUG AND THE PREVIOUS TWO ISSUES.

(CON'T)

PRESIDENT KEN SAYS
(CON'T)

THERE ARE STILL 40 SOME MEMBERS WHO HAVE NOT PAID THEIR DUES FOR THE 83-84 SEASON. IF THE MAILING LABEL ON THIS JUG SHOWS A 6/83 EXPIRATION DATE YOU ARE DELINQUENT AND ARE ASKED TO PAY PROMPTLY. THIS JUG IS THE LAST ONE THAT WILL GO TO THOSE NOT PAID UP. THE DUES FOR REGULAR MEMBERS IS \$12.00, AND SHOULD BE MAILED TO BOB EHR, KC6D, 1282 PAMPAS DRIVE, SAN JOSE, CA 95120.

NOTE THAT OUR REGULAR SEPTEMBER MEETING ON MONDAY THE 26TH IS ON THE WEST SIDE OF THE BAY. OUR SPEAKER IS CAM PIERCE, K6RU (ZK2RU) WHO WILL CONDUCT US ON A TOUR OF SEVERAL SOUTH PACIFIC ISLANDS. THE TOUR WILL HAVE ENOUGH RADIO TO BE INTERESTING TO CONTESTERS, BUT NOT ENOUGH TO BORE THE LADIES. WE HAVE A SUPER RAFFLE/DOOR PRIZE WITH A TERRIFIC DIGITAL 24 HOUR CLOCK AS FIRST PRIZE. LET'S HAVE A GOOD TURN OUT AT THIS MEETING TO KICK OFF THE CONTEST SEASON.

73, KEN, K6HNZ

CALIFORNIA QSO PARTY 1983
THE GOLDEN OPPORTUNITY

AS EARLY OCTOBER RAPIDLY APPROACHES, CONTESTERS EVERYWHERE BEGIN TO THINK ABOUT THE UPCOMING FALL CONTEST SEASON. THE CALIFORNIA QSO PARTY IS A GOOD WAY FOR US TO SHAKEDOWN THE ANTENNA SYSTEMS WE WORKED SO HARD TO RESTORE AFTER LAST WINTER'S STORMS TORE THINGS APART. TAKE SOME TIME OUT ON THE WEEKEND OF OCTOBER 1 AND 2 AND PARTICIPATE IN AMATEUR RADIO'S BEST STATE QSO PARTY. RULES APPEAR ELSEWHERE IN THIS ISSUE OF THE JUG. A NUMBER OF INTREPID EXPEDITIONEERS HAVE STEPPED FORWARD AND HAVE MADE THEIR PLANS KNOWN - THE LIST FOLLOWS:

MARIN BY K6YA (MULTI)

KINGS? BY W6TPH

PLUMAS BY N6QW

STANISLAUS BY W6SZN

EL DORADO BY K6LRN

COLUSA, GLENN AND OTHERS

BY TOM SCHILLER (WA6VEF/M?)

MADERA BY K6HNZ

ALPINE BY AA6AD AND K6TMB

SIERRA BY K6XO

SISKIYOU BY LASSEN R.C.

KERN, INYO AND OTHERS BY

N6TR/M AND AA6RX/M

LASSEN BY K6BXN

BE ON THE LOOKOUT FOR THESE FOLKS; THEY WOULD APPRECIATE SOME QSOS WITH YOU. ADAM, N6QR, WILL BE ATTEMPTING TO WORK AS MANY COUNTIES AS POSSIBLE ON TWO METER SIMPLEX, SO IF YOU ARE GOING ON AN EXPEDITION, TAKE SOME TWO METER EQUIPMENT ALONG. ALSO, RUSTY, W6OAT, WILL BE ATTEMPTING TO SET A NEW OUT OF STATE RECORD FROM WATNIN IN CARSON CITY, NEVADA. HE WOULD ESPECIALLY LIKE TO WORK AS MANY W6'S AS POSSIBLE SATURDAY NIGHT ON 160 METERS AT 0500Z BOTH MODES. LISTEN CAREFULLY FOR RUSTY'S BACKSCATTER SIGNALS DURING THE DAY ON THE HIGH BANDS. GOOD LUCK TO ONE AND ALL.
CU CQP!

73, ALAN, K6XO



THE CONTEST JUG NUMBER 132 SEPTEMBER 1983
1983 CALIFORNIA QSO PARTY **3**

The 1983 California QSO Party, sponsored by the Northern California Contest Club, commences at 1600 UTC on October 1, 1983, and ends at 2159 UTC on October 2, 1983. Efforts are being made to have all 58 counties in California on for the contest. Four trophies will be offered: highest scoring out of state single op, highest scoring California single op, highest scoring single op California county DXpedition, and highest scoring multi op California county DXpedition. One rule of particular note for this contest: each station may be worked once per band per mode.

BEGINS: 1600 UTC October 1, 1983

ENDS: 2159 UTC October 2, 1983

Single ops may operate only 24 hours; off times must be clearly marked in your log and must be at least 15 minutes long.

Multi ops may operate the full 30 hours.

Stations may be worked once per mode per band.

All contacts must be simplex; no MCW.

All CW contacts must be made in the CW sub-band.

California stations that change counties are considered to be new stations and may be contacted again for points credit.

Object: Out of state stations work California; California stations work anyone.

Exchange: California stations send QSO number and county.
 Out of state stations send QSO number and state/province/country.

QSO Points: Each complete phone contact is worth 2 QSO points. Each complete CW contact is worth 3 QSO points.

Multipliers: California stations use states and VO/VE 1-7 and VY1/VE8, for a possible total of 58.
 Out of state stations use the number of different California counties for a possible total of 58.

Total Score: The total score is the number of QSO points multiplied by the total number of multipliers.

Suggested Frequencies: Novice CW: 3725 7125 21125 28125
 CW: 1805 3560 7060 14060 21060 28060 (Try CW on the 1/2 hour)
 SSB: 1815 3895 7230 14280 21365 28560 (Try 160M at 0500)

Deadline for Score Submission: All logs and summary sheets must be sent to NCCC c/o Alan Brubaker, K6XO, 34456 Colville Place, Fremont, CA 94536 by November 1, 1983. Please include business size SASE for results.

Awards: Certificates for highest scoring station in each California county, each state/province, and each country, and each station that scores 100 or more QSOs.
 Trophies to the highest scoring out of state single op, the highest scoring California single op, the highest scoring single op California county DXpedition, and the highest scoring multi op California county DXpedition.

QSLs: QSLs to NCCC California stations without an SASE will be responded to via the U.S. QSL Service (USQS), P.O. Box 814, Mulino, Oregon 97042. This will enable California stations to confirm contest QSO's at minimum expense to all concerned. To claim these and other QSLs from USQS, send a business size SASE to USQS. For further details, send an SASE to USQS or see any issue of World Radio News.

CALIFORNIA COUNTIES AND THEIR ABBREVIATIONS

Alameda	Ala	Kings	Kings	Placer	Pla	Sierra	Sie
Alpine	Alp	Lake	Lake	Plumas	Plu	Siskiyou	Sisk
Avador	Am	Lassen	Las	Riverside	Riv	Solano	Sol
Butte	Butte	Los Angeles	LA	Sacramento	Sac	Sonoma	Son
Calaveras	Cal	Madera	Mad	San Benito	SBen	Stanislaus	Stan
Colusa	Col	Marin	Marin	San Bernadino	SBer	Sutter	Sut
Contra Costa	ConC	Mariposa	Marip	San Diego	SDgo	Tehama	Teh
Del Norte	DelN	Mendocino	Mend	San Francisco	SF	Trinity	Tri
El Dorado	ELD	Merced	Mer	San Joaquin	SJ	Tulare	Tul
Fresno	Fres	Modoc	Modoc	San Luis Obispo	SLO	Tuolumne	Tuol
Glenn	Glenn	Kono	Mono	San Mateo	SM	Ventura	Ven
Humboldt	Humb	Monterey	Mont	Santa Barbara	SBar	Yolo	Yolo
Imperial	Imp	Napa	Napa	Santa Clara	SCL	Yuba	Yuba
Inyo	Inyo	Nevada	Nev	Santa Cruz	SCr		
Kern	Kern	Orange	Org	Shasta	Shas		

Minutes -- NCCC Membership Meeting -- 22 August, 1983

The meeting was attended by 27 members and guests KY6I and KZ6Q. The program for the September meeting was announced (see elsewhere in this issue).

The mailing of the roster has been delayed by printing problems. Rosters should reach everyone during September.

Alan, K6XO, reported numerous county expeditions planned for the CQP -- more choice spots with breakable records still are available.

Operating slots are still open for the 6-band Multi/Multi effort at TI2CF for the 1984 ARRL DX SSB weekend -- contact K6HNZ for further information.

KY6I and KZ6Q were voted-in as new club members. Welcome!

The 1983 CQWW forum/discussion yielded a number of exciting prospects for club activity, both domestic and otherwise (see elsewhere for details). W6TI/R will be used for the club spotting net.

Minutes -- NCCC Board of Directors Meeting -- September, 1983

The meeting was held on 9/1 at the QTH of K6RU, superbly hosted by Cam with the assistance of his famous super nachos (ole!). The above attracted K6HNZ, KC6D, K6TMB, W6RGG, W6SZN, K6KLY, W6OAT, N6TV, WA6VEF, N6QW, K6ZM, and N6AUV -- wow!

The meal prices and raffle for the September meeting were discussed and approved (see elsewhere).

Expenditure of \$150 was approved for a new UHF antenna for the club repeater, to be drawn from the repeater fund.

Planning progress for the 1983 CQWW was discussed. K6KLY will be spotting net coordinator for the CW weekend; a volunteer is needed for the SSB weekend. Coordination of operators with open slots at local Multi/Multi stations is in progress.

W6SZN reported receiving news from the US QSL Service that cards are being held for a number of club members. Kip will report further info and distribution proposals in the JUG.

The club treasury stands at \$2368.17, including \$313.20 in the repeater fund.

The next Board meeting will be at K6KLY on October 6.

Bob Ehr, KC6D, Secretary/Treasurer

NCCC SECRET INSERT #2INFORMATION FOR IN TERRITORY NCCC MEMBERS ONLY!!

BY THE TIME THIS ISSUE OF THE CONTEST JUG HITS THE STREET THE PHONE CQ WW DX CONTEST WILL BE LESS THAN SIX WEEKS IN THE FUTURE AND THE CW CONTEST IS FOUR WEEKS BEYOND THAT. TIME IS GETTING SHORT, AND FOR THOSE CAUGHT UP IN THIS YEARS ACTIVITIES THE EXCITEMENT IS MOUNTING. THE CHANCE TO BRING THE CLUB CHAMPIONSHIP TO THE WEST COAST FOR ONLY THE SECOND TIME IN HISTORY IS VERY REAL. WHAT THIS REQUIRES IS A REAL EFFORT BY ALL OF US CLUB MEMBERS. THIS IS CERTAINLY THE TIME TO JUMP IN AND SUPPORT OUR CLUB AND HAVE A LOT OF FUN AT THE SAME TIME. REMEMBER THIS IS PROBABLY THE LAST GOOD YEAR FOR CQ WW FOR FIVE OR SIX YEARS. DON'T MISS THIS OPPORTUNITY. NEXT YEAR IT'S BACK TO SS.

ONE OF THE THINGS THAT MADE OUR 1981 CHAMPIONSHIP POSSIBLE WAS THE 22 DXPEDITIONS THAT THE CLUB SENT OUT AROUND THE WORLD. THEY ACCOUNTED FOR 45% OF OUR SCORE AND HELPED US OVERCOME THE ADVANTAGE THAT THE EAST COAST ENJOYS BECAUSE THEY ARE ONE HOP FROM EUROPE. THIS YEAR WE HOPE TO HAVE AT LEAST 28 DXPEDITIONS OUT ACCUMULATING POINTS FOR GOOD OLD NCCC. ABOUT 24 OF THESE ARE PRETTY WELL FIRMED UP AT PRESENT AND ARE LISTED BELOW. ANOTHER 4 WOULD REALLY MAKE US MORE THAN COMPETITIVE AND THERE ARE DX LOCATIONS WHERE WE HAVE CONNECTIONS AND CAN HELP YOU FIND A STATION. SOME ARE FULLY EQUIPPED READY TO OPERATE. OTHERS REQUIRE AN EXCITER OR ANTENNA. TAKE YOUR PICK FROM ZK2 FOR SSB, ZK1 BOTH MODES, FOØ FOR SSB, VO2 (ZONE 2) BOTH MODES, CT3 BOTH MODES, VE BOTH MODES AND SEVERAL OTHERS. IF ANY OF THESE TURN YOU ON, DON'T WAIT. CALL WA6VEF, W6SZN, W6OAT, N6KT OR MYSELF FOR INFORMATION AND ASSISTANCE. DON'T DELAY AS TIME IS GETTING SHORT, ESPECIALLY FOR PHONE.

HERE IS THE LIST OF PRESENTLY PLANNED DXPEDITIONS. LET'S ADD YOURS TO THIS LIST NEXT MONTH:

<u>PHONE</u>	<u>CW</u>
J6LIR	ZK2ZM
PJ2FR	KHØ
8P6J	FOØJO
T12	VP2MEV
3D2	KH6
KH6 (2 DXPEDITIONS)	XE2BC
V3	A4 ?
T2	4X4 OR CT3
DU	HC
XE2BC	KL7 OR VE7
HK	
VE7	

IT FOLLOWS THAT IF 45% OF OUR 1981 POINTS CAME FROM DXPEDITIONS THEN 55% MUST HAVE COME FROM OUR HOME STATIONS. THIS WAS THE RESULT OF A BIG WELL ORGANIZED EFFORT WITH ALMOST EVERY MEMBER MAKING A CONTRIBUTION. WE HOPE TO HAVE THE SAME KIND OF EFFORT THIS YEAR. THERE ARE AT LEAST 20 MULTI/MULTI OR MULTI/SINGLE OPERATIONS PLANNED AND ALMOST ALL STILL NEED IF YOU CAN JOIN ONE OF THESE FUN OPERATIONS CALL NOW FOR A FIRST CHOICE. THE HOME STATION COMMITTEE IS KC6D, N6TV, K6KLY, K6TMB, NR6I AND MYSELF.

(OVER)

NCCC SECRET INSERT #2

IF YOU HAVE THE STATION CAPABILITY AND THE STAMINA IT IS HARD TO BEAT THE POINTS PER MAN YOU CAN RUN UP WITH A BIG SINGLE OPERATOR ALL BAND EFFORT. WE NEED AS MANY AS WE CAN GET AND THERE ARE A FEW POSSIBILITIES FOR GUEST OPERATORS IN THIS SITUATION.

TWO METER NETS WILL OF COURSE BE IN OPERATION FOR EACH WEEKEND. K6KLY WILL ORGANIZE THE CW WEEKEND NET AND KA6ING WILL ORGANIZE IT FOR THE PHONE WEEKEND. GIVE THEM YOUR ENTHUSIASTIC SUPPORT.

WITH ALL THESE ACTIVITIES THERE IS OBVIOUSLY SOMETHING FOR EVERYONE IN THE CQ WW. IT WOULD BE GRATIFYING TO HAVE SOME PARTICIPATION BY EVERY CONTESTER IN OUR CLUB. THIS WOULD VIRTUALLY GUARANTEE US ANOTHER CHAMPIONSHIP. CALL NOW TO LET US KNOW WHAT YOU WOULD LIKE TO DO.

73,

KEN, K6HNZ

HOME PHONE -415) 948-2818
WORK PHONE -415) 969-6740

SEPTEMBER 26 DINNER MEETING DETAILS

TIME: MONDAY, SEPT.26 COCKTAILS - 6:30 PM DINNER - 7:30 PM

PLACE: CASA MARIA
4470 EL CAMINO REAL, LOS ALTOS CA (SEE MAP)
(500 FEET NORTH OF SAN ANTONIO RD. ON THE WEST SIDE OF EL CAMINO)

PRICE: MEXICAN DINNER - \$10.00 PER PERSON

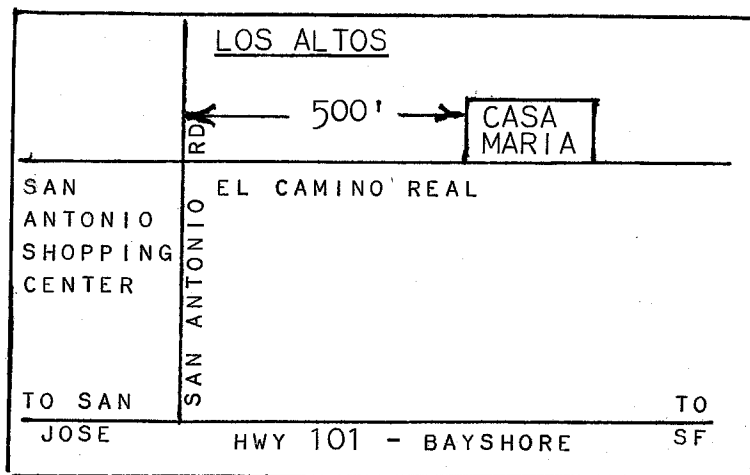
STEAK DINNER - \$12.00 PER PERSON

DINNER PRICES INCLUDE SALAD, ENTREE, DESSERT, COFFEE OR TEA, TAX, TIP AND ONE \$1.00 RAFFLE TICKET.

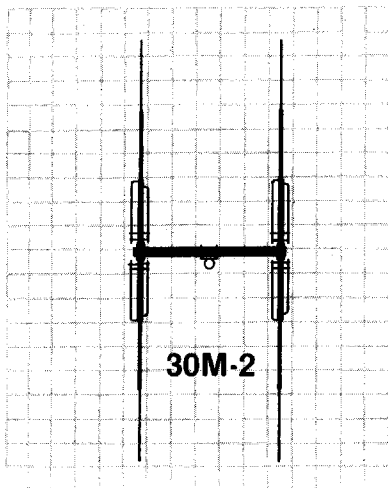
RAFFLE PRIZES:

1. AN MFJ-104 DUAL-TIME-ZONE LOGGING CLOCK WITH 4-MELODY ALARM.
2. FREE DUPING WITH QSL LABELS FOR 1000 QSO'S, COURTESY OF N6TV DUPING SERV.
3. NCCC WORLD CHAMPIONSHIP T-SHIRT (ONE OF THE FEW REMAINING)

ADDITIONAL RAFFLE TICKETS ARE AVAILABLE FOR \$1 EACH OR 4 FOR \$3.



KLM 30 Meter Monoband Yagis



30M-2: SPECIFICATIONS

Bandwidth: 10.1 to 10.150 MHz
Gain:
VSWR: less than 1.5:1
F/B:
Feed Impedance: 50 ohms
Element length: 35'3"
Boom: 3"O.D. x 12'
Turn Radius: 18'6"
Weight: 35 lbs
Windload: 4 sq ft

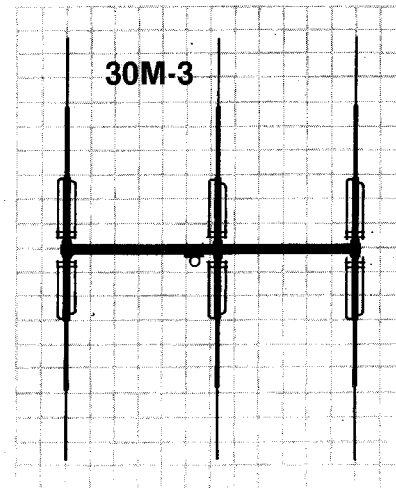
KLM is proud to announce two new high performance monobanders for 30 meters. The KLM 30M-2 and 30M-3 are carefully designed to combine moderate size with superior performance. Either of these compact power-houses can be a valuable addition to your antenna system without overloading the tower or rotator.

■ Construction materials feature strong 6063-T832 alloy aluminum element and boom tubing, massive Lexan insulators, and stainless steel hardware for years of reliable service.

■ A DC grounded Beta match and KLM's proven 4:1 DC grounded Balun make the 30M-2 and 30M-3 as lightning/static proof as possible. The unique linear loading system keeps element lengths manageable without sacrificing performance.

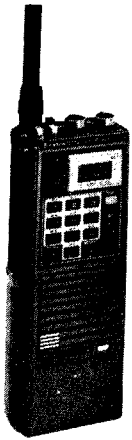
■ The adventure of a new band awaits you. Double your pleasure with the great gain and broadband response of the KLM 30M-2 or 30M-3. See your KLM dealer now!

KLM Electronics, Inc.
P.O. Box 816,
Morgan Hill, CA 95037
(408) 779-7363



30M-3: SPECIFICATIONS

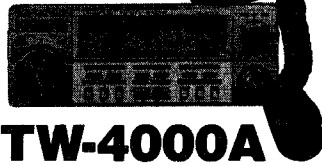
Bandwidth: 10.1 to 10.150 MHz
Gain:
VSWR: less than 1.5:1
F/B:
Feed Impedance: 50 ohms
Element length: 35'3"
Boom: 3"O.D. x 24'
Turn Radius: 21'5"
Weight: 50 lbs
Windload: 7 sq ft



TR-2500

KENWOOD

NEW!!



TW-4000A
FM "Dual Bander"
2m and 70cm in a
single package!

TS-930S



TS-430S



ETD ALPHA
ALL ALPHA AMPLIFIERS
IN STOCK FOR FAST DELIVERY
CALL FOR SPECIAL PRICES

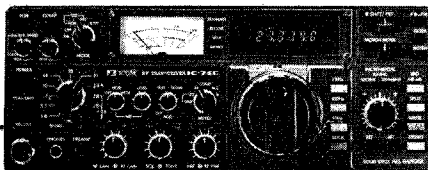


ONE EXAMPLE:
76PA
REGULAR \$2395

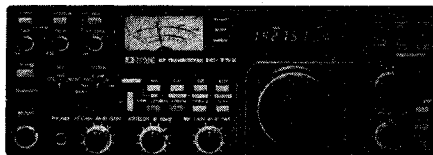
SALE! \$1699



**BUY IC-740 NOW
AND GET YOUR
\$50 REBATE!**
DIRECT FROM THE FACTORY



NEW!! IC-751



KLM/TRI-EX

KLM KT-34A

4 element tri-bander

Regular \$389.95 **\$299**

KLM KT-34XA
6 element tri-bander

Regular \$569.95 **\$459**

KLM 7.2-1 40M rotatable dipole.
Regular \$199.95 Special \$159.00

KLM 7.2-2 40M, 2 element beam.
Regular \$349.95 Special \$299.00

KLM 7.2-3 40M, 3 element beam.
Regular \$529.95 Special \$449.00

KLM 7.0-7.3 4A 40M, 4 element beam.
Regular \$749.95 Special \$629.00

TRI-EX W51, 51 foot tower.
Regular \$999.95 Special \$829.95

W51 TOWER w/ KT-34A
\$1099

W51 TOWER w/ KT-34XA
\$1239



Save substantially!

**Call now for
your price.**

BURLINGAME, CA 94010
999 Howard Ave., (415) 342-5757
5 miles south on 101 from S.F. Airport.

OAKLAND, CA 94609
2811 Telegraph Ave., (415) 451-5757
Hwy 24 Downtown Left 27th St-ramp.

THE CONTEST JUG-PUBLISHED MONTHLY BY
THE NORTHERN CALIFORNIA CONTEST CLUB
34456 COLEVILLE PLACE
FREMONT, CA 94536



FIRST CLASS
FIRST CLASS
FIRST CLASS

W6DAT
EPPS, CHARLES K
948-H KIELY BLVD
SANTA CLARA, CA 95051

EXPIRES:0684