


N6IE REMOTE STATION

Ron Castro

Northern California Contest Club

October 2020

Remote operation is one of the fastest growing areas of ham radio

- Tower regulations, CC&R's
 - Aging population moving to smaller homes
 - Availability of 'off the shelf', affordable equipment
 - Far better internet
 - Avoidance of local interference
 - Vacation/travel operation
 - Operate DX station from home QTH
 - Operate contest 'Super Station'
- 



REMOTE STATION EQUIPMENT RACK



N6IE SHACK



OPERATOR VIEW



ranch2017hp-hp (10.0.0.115) - service mode

73.189.129.208::59

PstRotatorAz - Registered to N6IE v12.58

Communication Setup Tracker Map View Show Preset Help

Mode: Manual Tracking

QRB: mi

Presets: EU, AK, N-US, JA, Cent US, VK, S-US SA, ZL, 5, KH6, 6, 12

DXCC: 1A: Sov Mil Order of Malta, 1S: Spratly Islands, 3A: Monaco, 3B6: Agalega & St. Brandon, 3B8: Mauritius, 3B9: Rodriguez Island, 3C: Equatorial Guinea

Az: 96

BD: 0, ANT: 1

UTC: 22:57:37

LP-100 Virtual Control Panel

Property of N6IE-R

Pwr: 0.00W Peak

Swr: 1.00

Range: Auto, Alarm: 3.0, Power Mode:

Z: 0.00, PH: 0.00, R: 0.00, X: 0.00

KPA1500 Remote by Elecraft® (Hosting Amplifier)

Power: 0000 W

20m SWR: NO RF

Temp: 39 C

Operate Standby

AMP ON

Ant 1, Ant 2, ATU Tune, ATU IN, ATU BYP

ATU Pwr Limit: N/A Last Att Reason: NONE Fan Speed: 0

SteppIR Controller

To SteppIR: 14.213

From SteppIR: 14.225

Bands: 80, 40, 30, 20, 17, 15, 12, 10, 6

Auto, Home, Manual, Relay

LP-Remote

Relays - Main Board: ACOM, RESET, Relay 3, MARTI, K3 PWR, Relay 6, Relay 7, 160 M, Relay 9, Relay 10, Relay 11, ID OFF, Relay 13, Relay 14, Relay 15, Relay 16

Input Status: ACOM, Input 3, Input 5, Input 7

Interlock A, Interlock B, Deg C, On Top

NaP3 - Elecraft K3 - v5.6.0

Setup STOP DataText Record Controls Spots Macros Help

VFO A: 14.213000

VFO B: 14.041040

16384

14.160 14.180 14.200 14.220 14.240 14.260 14.280 14.300

14.160 14.180 14.200 14.220 14.240 14.260 14.280 14.300

163000 64464.0Hz -92.8dBm 14.277464 MHz

SUB SPLIT A/B A>B 0 Beat Avg Spanfall Peak Fixed Centre

GEN 160 80 60 40 30 20 17 15 12 10 6

USB CW AM FM DATA A

3.0k 2.8k 2.6k 2.4k 2.2k 2.0k 1.8k VAR

MUT RXA: 100 RXB: 15 AGC-T: 80

RX EQ SQL: -62 AGC: Med ANF NB NB2 NR BIN

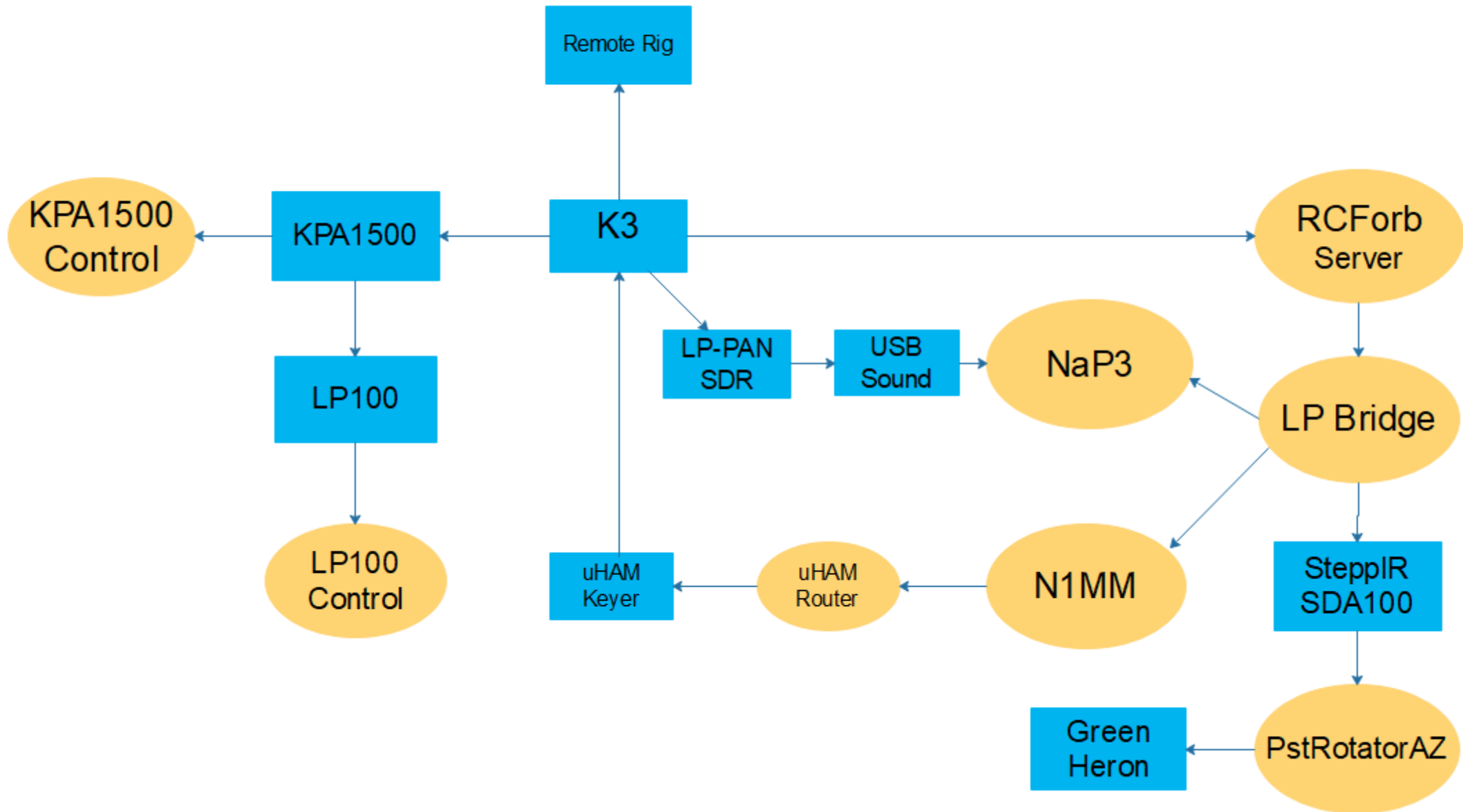
Start 3:57 PM



Hardware

Software

DIAGRAMS

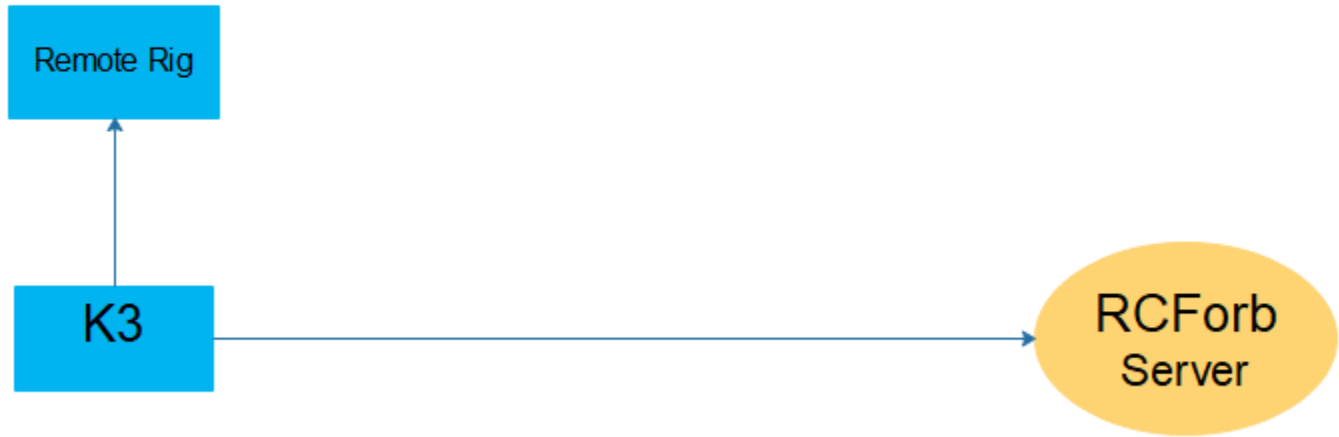


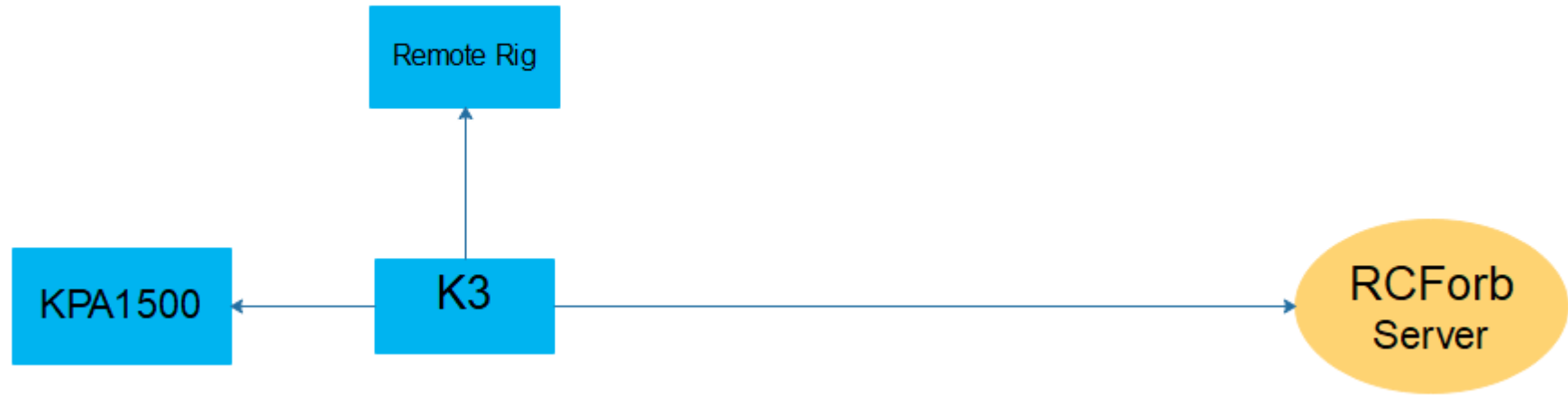
K3

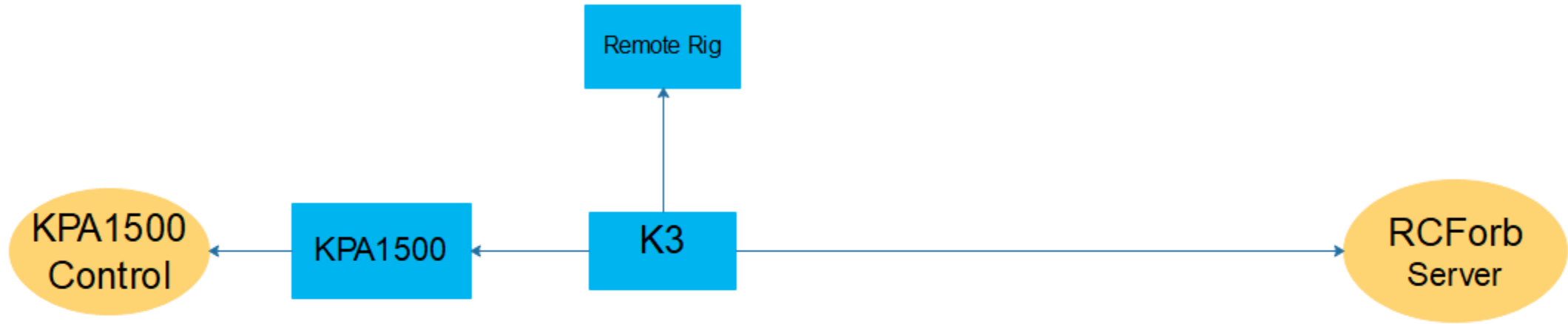
Remote Rig

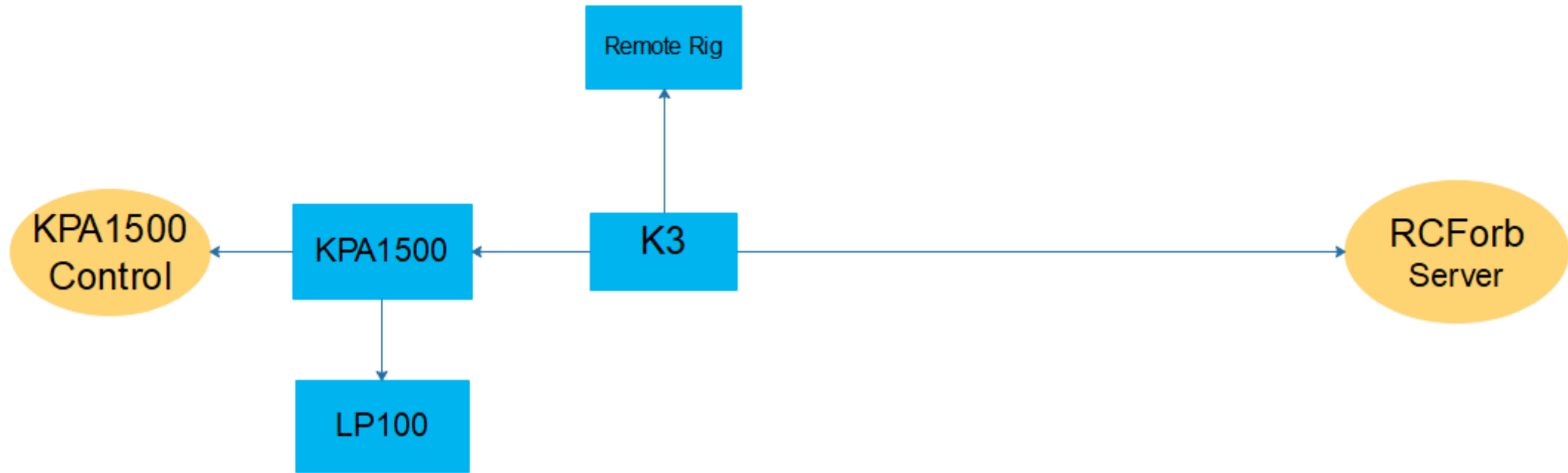
K3

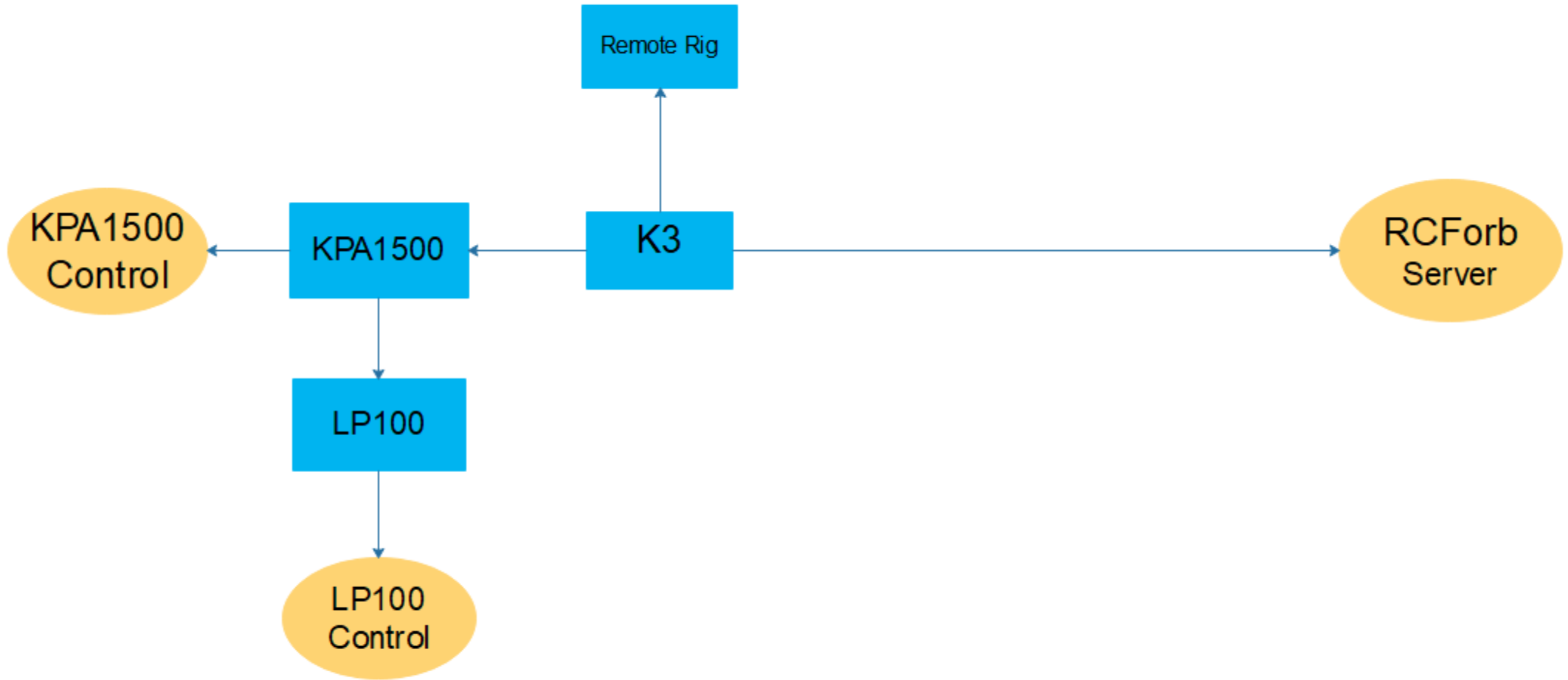


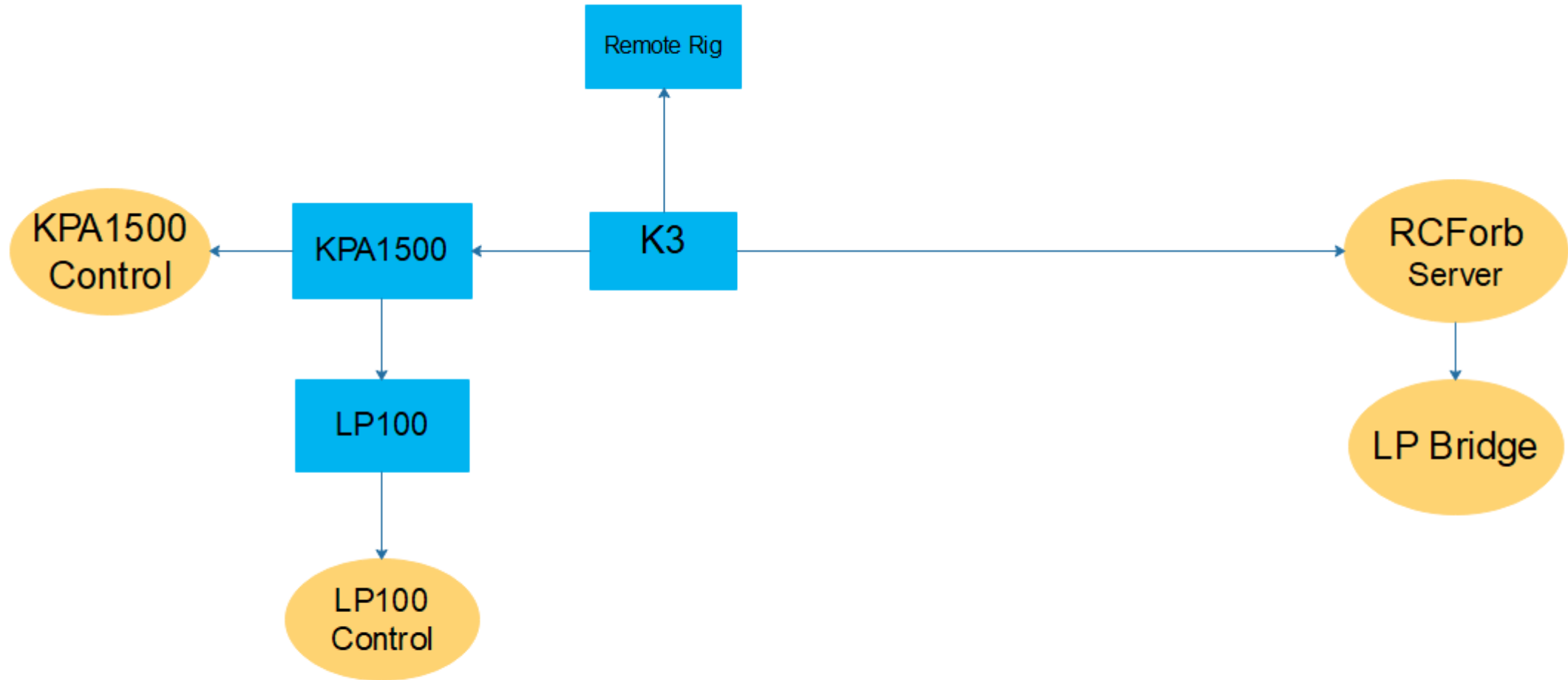


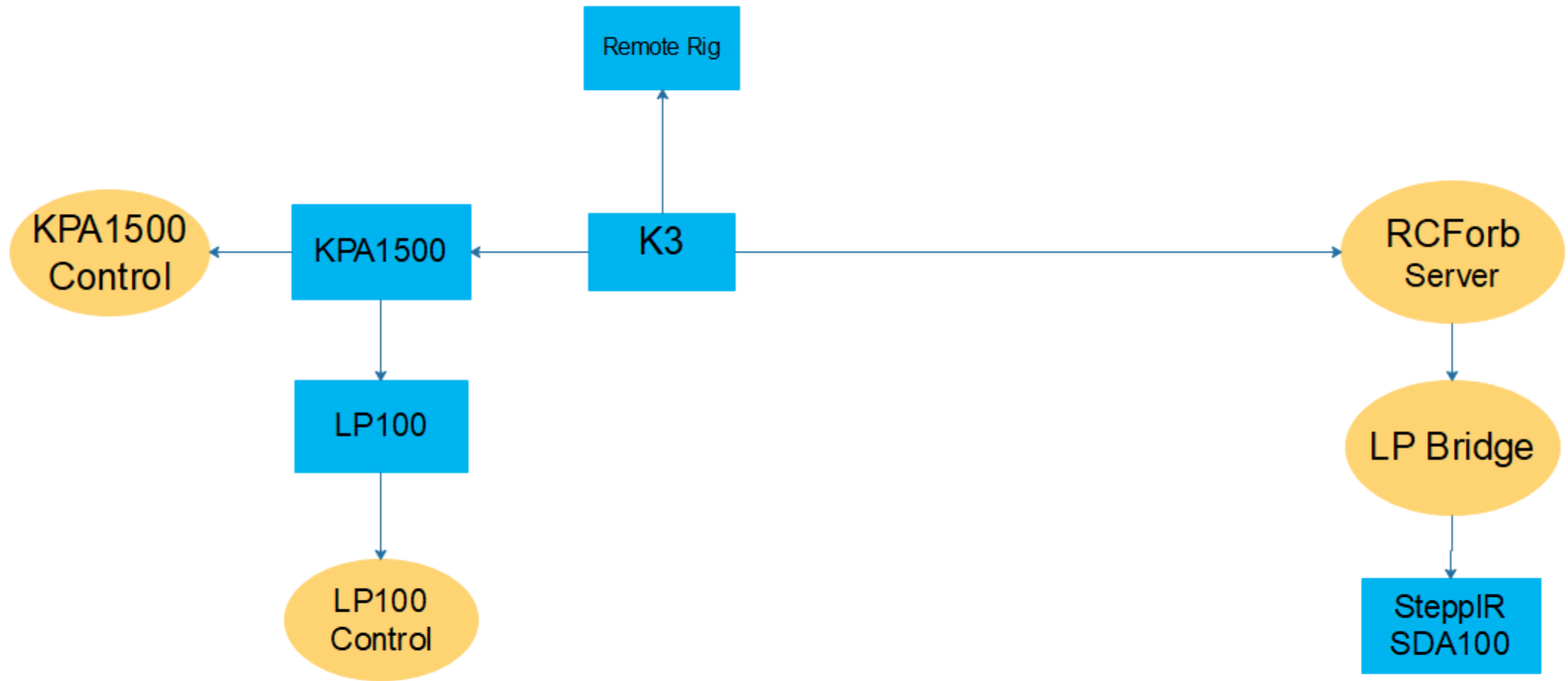


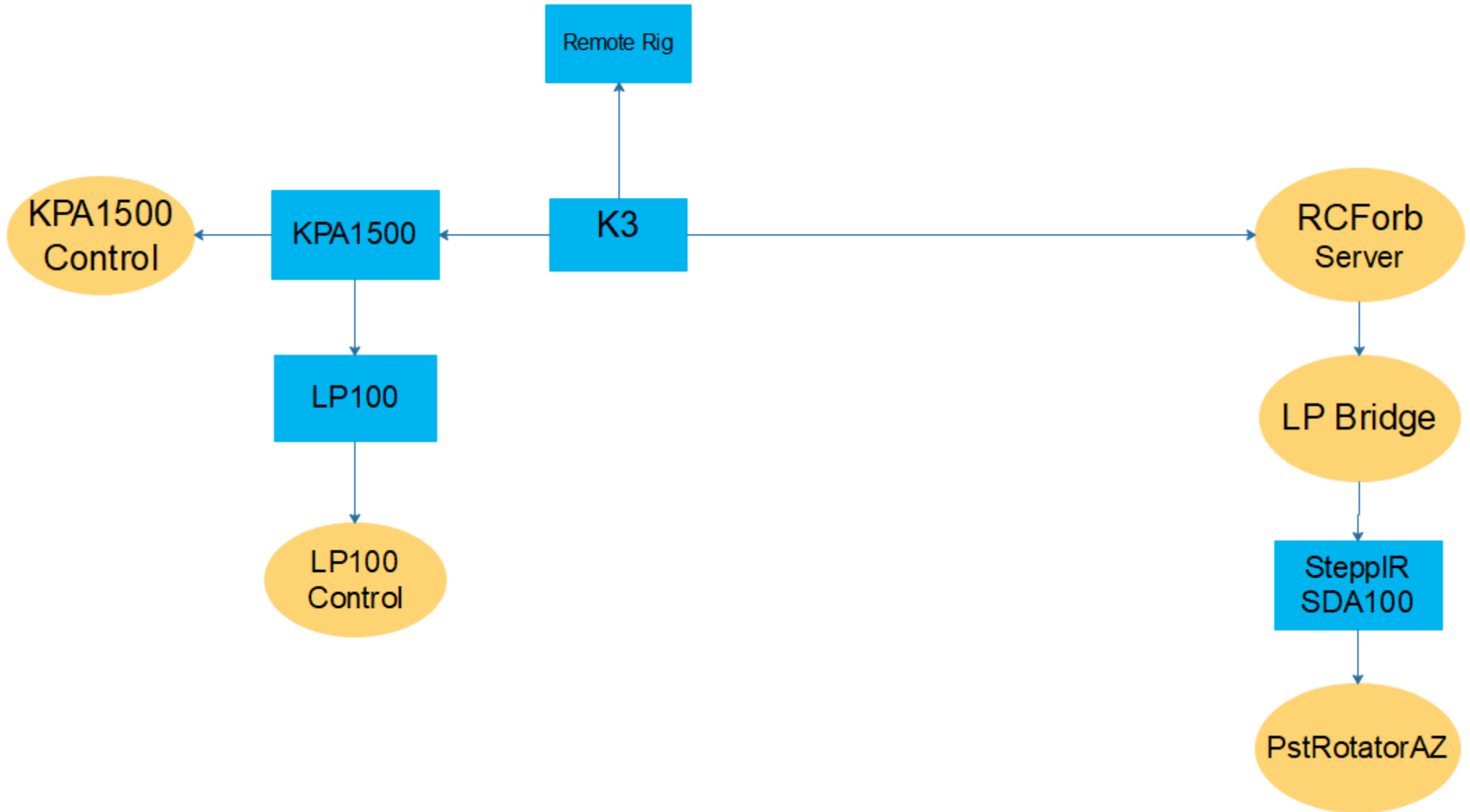


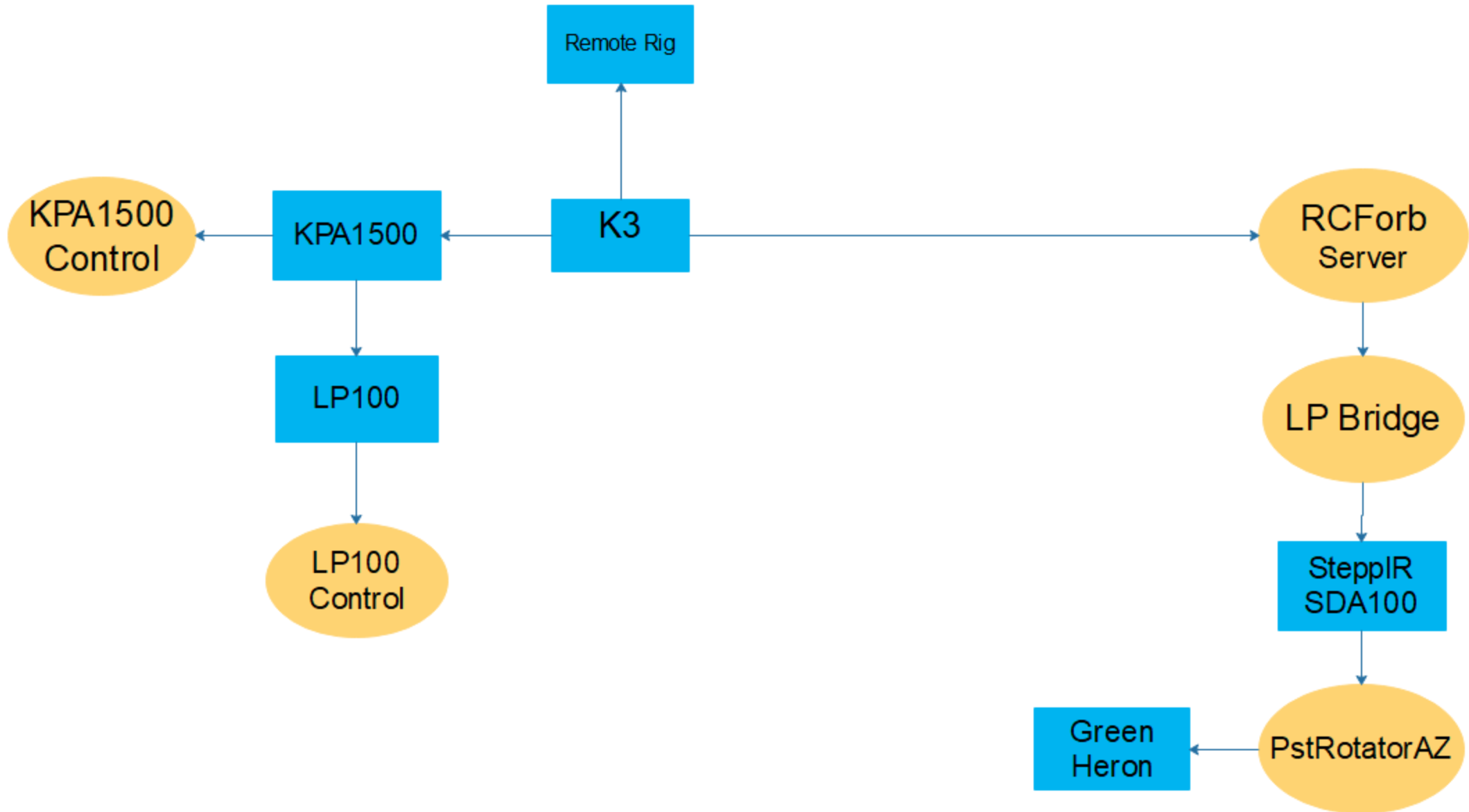


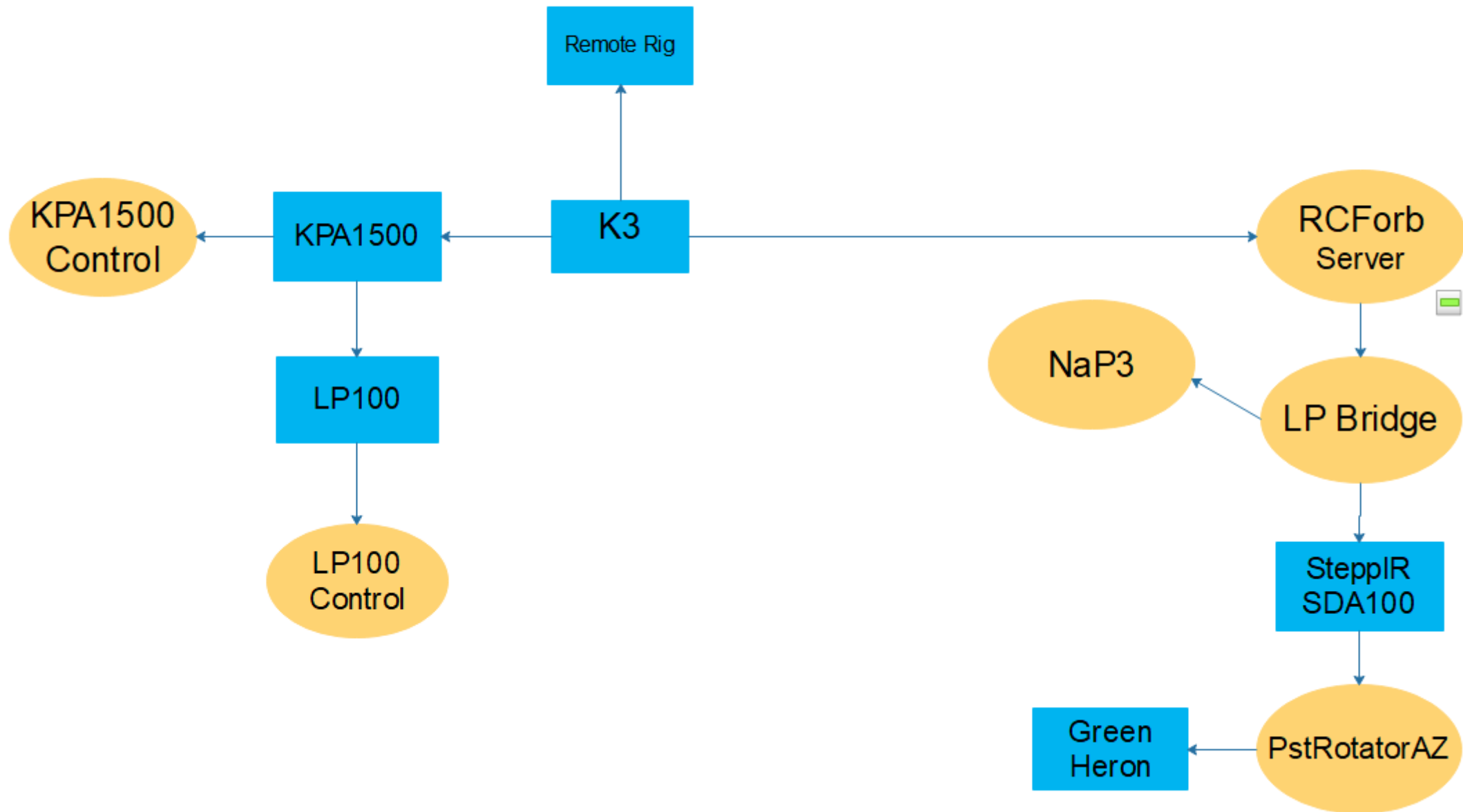


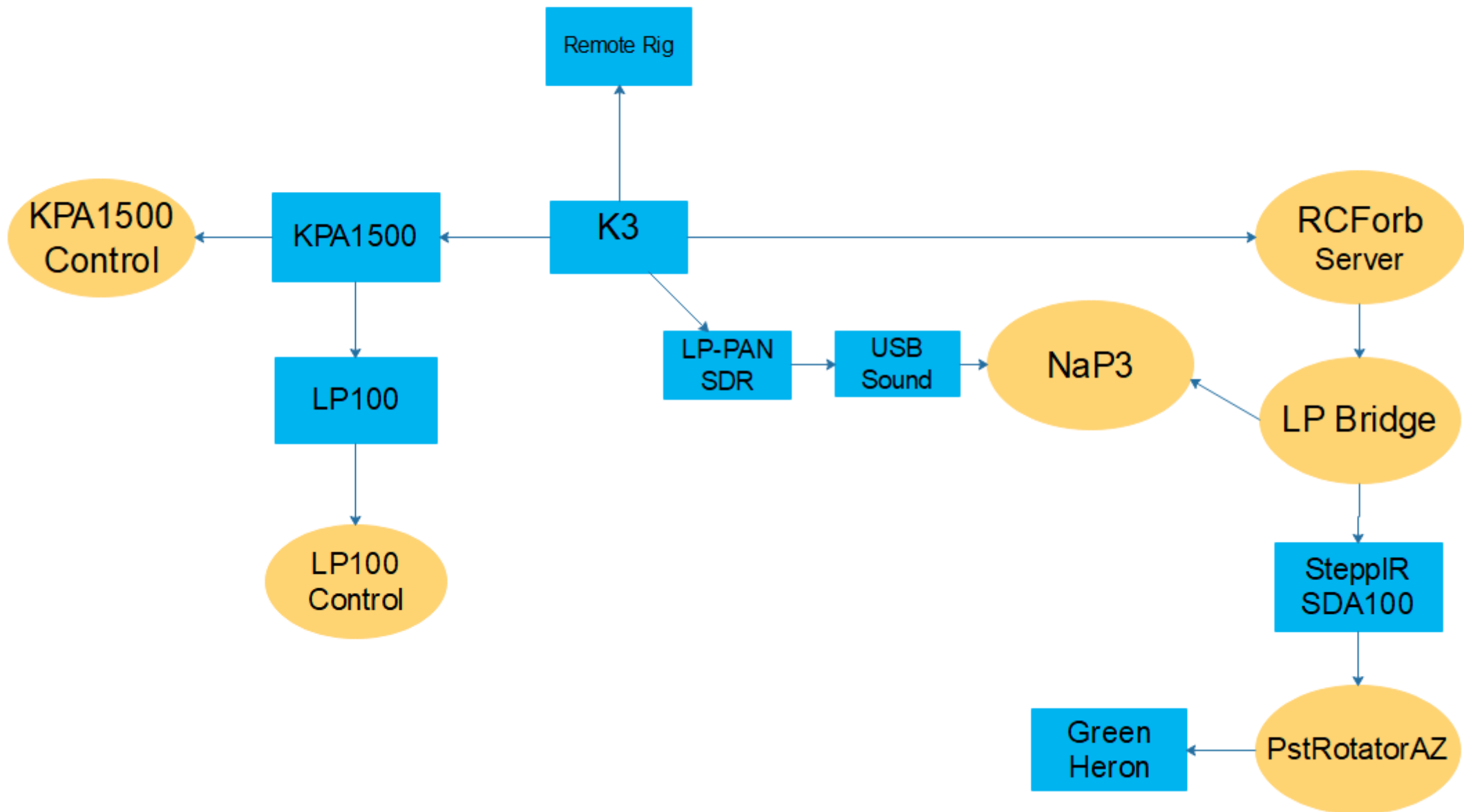


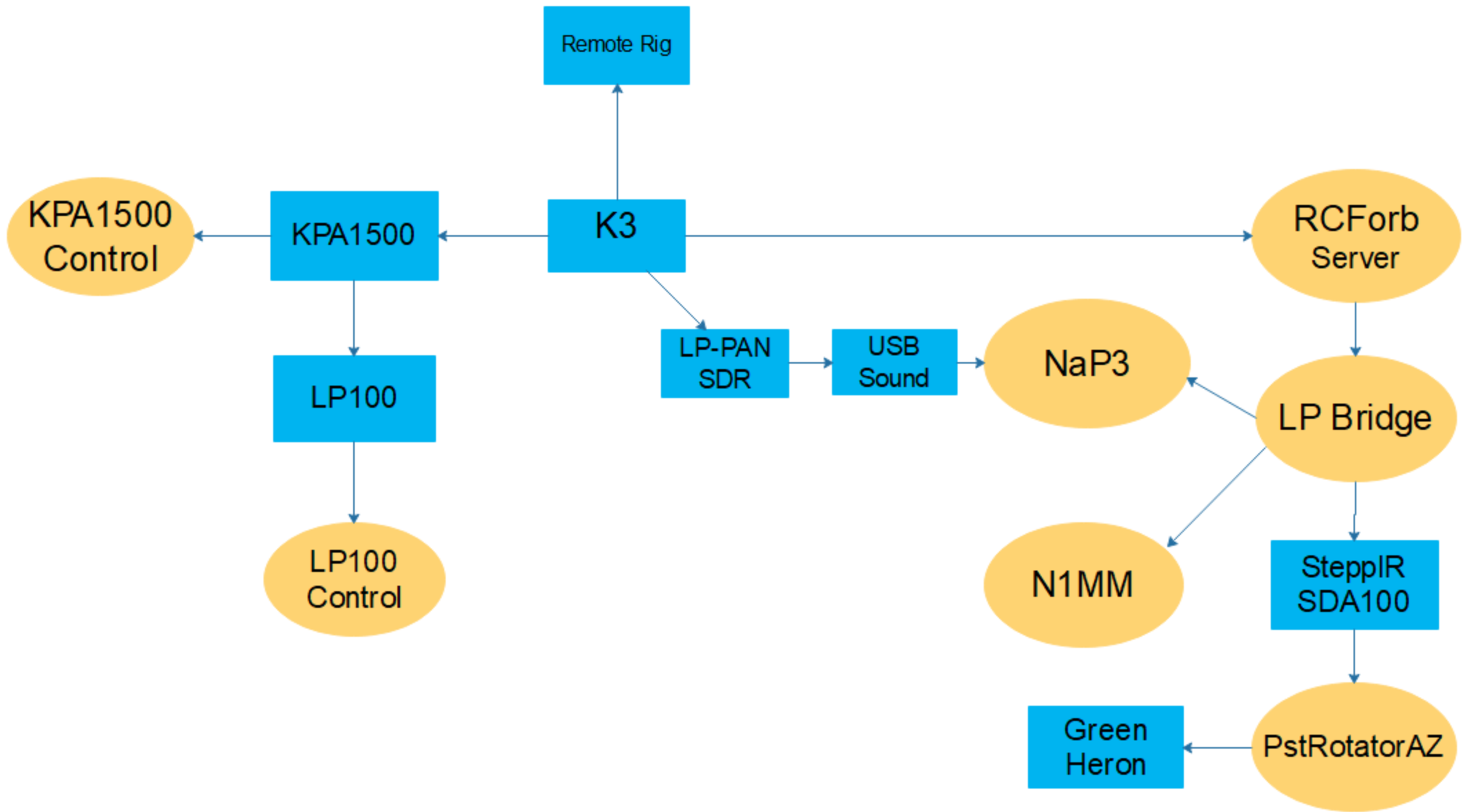


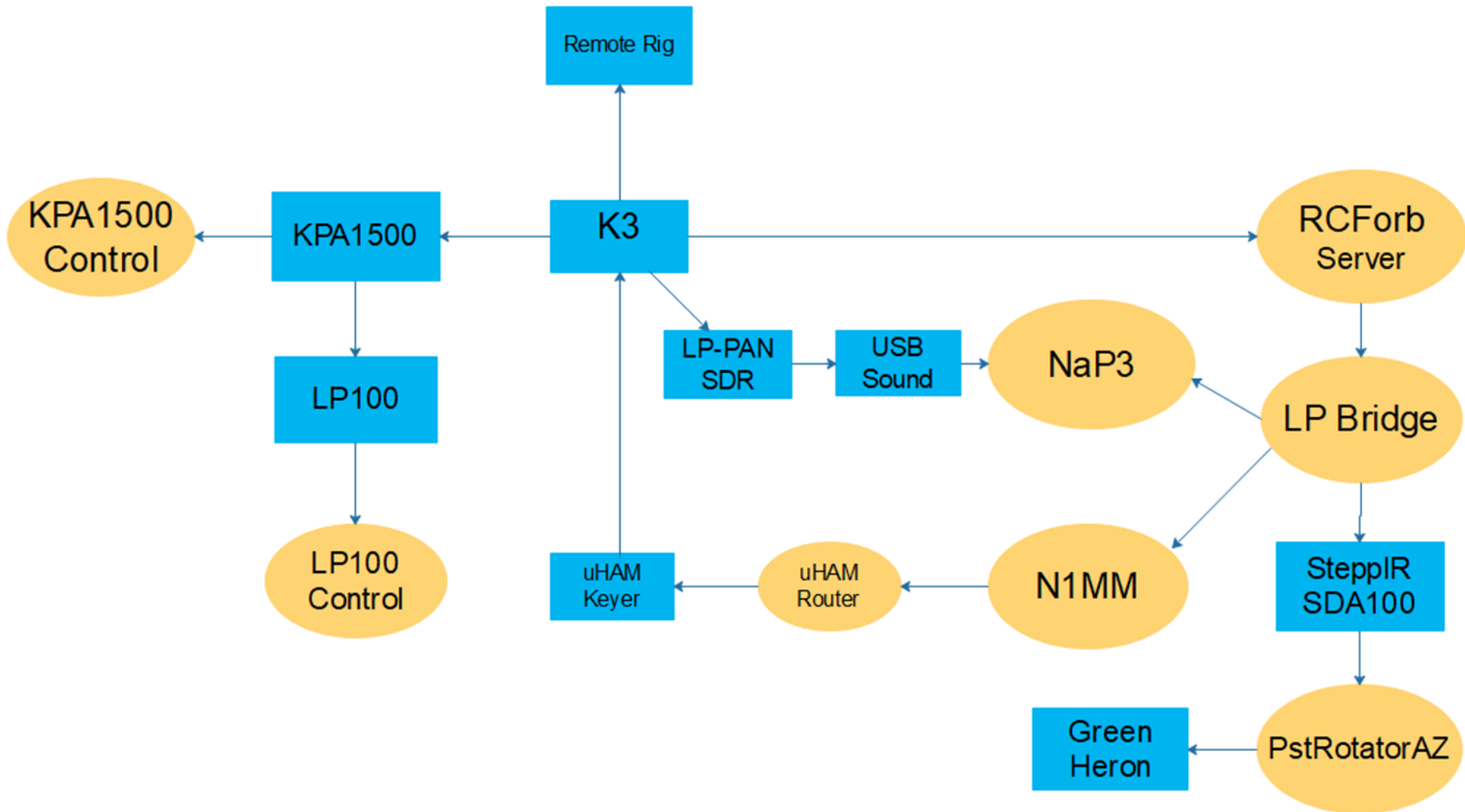


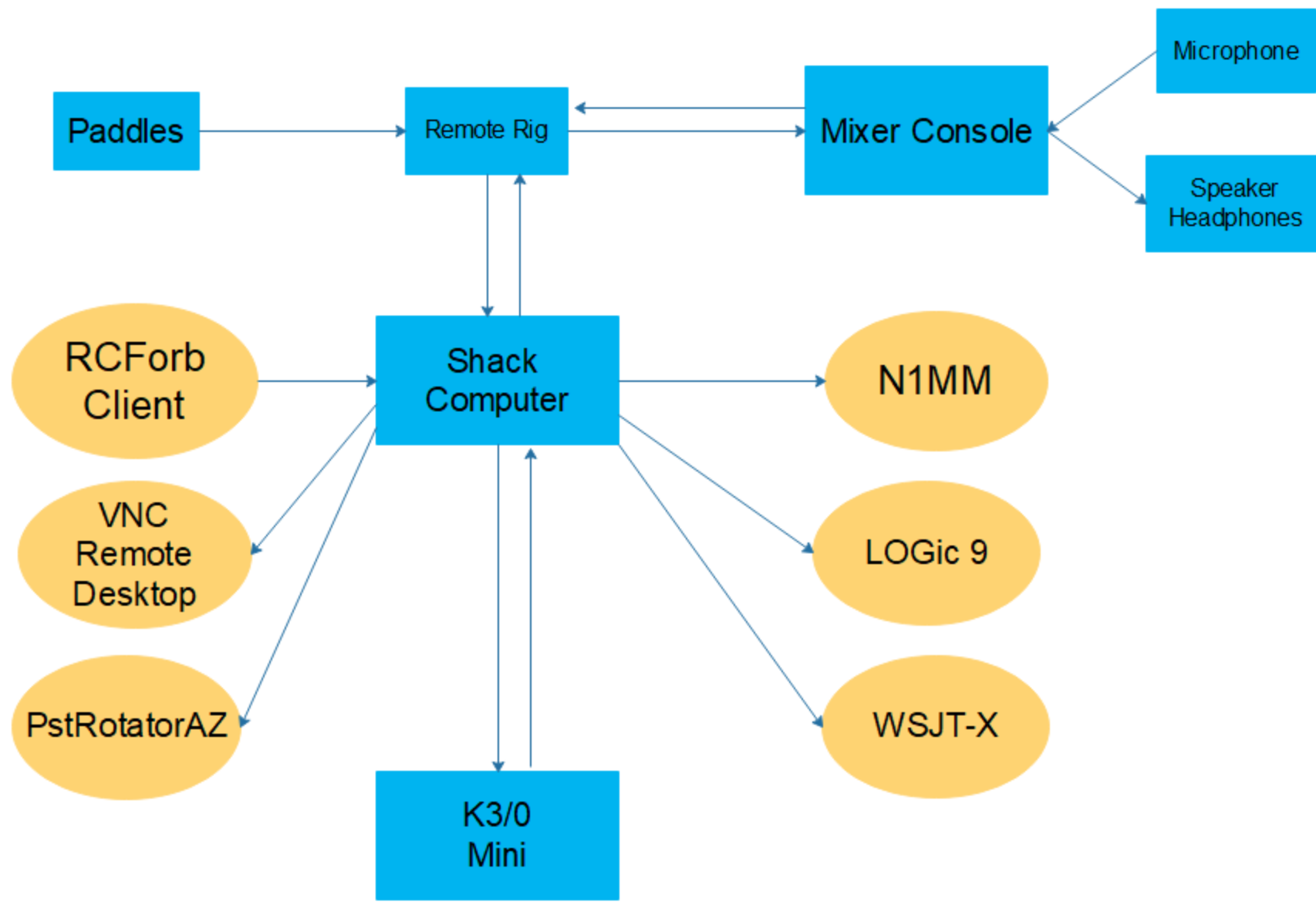










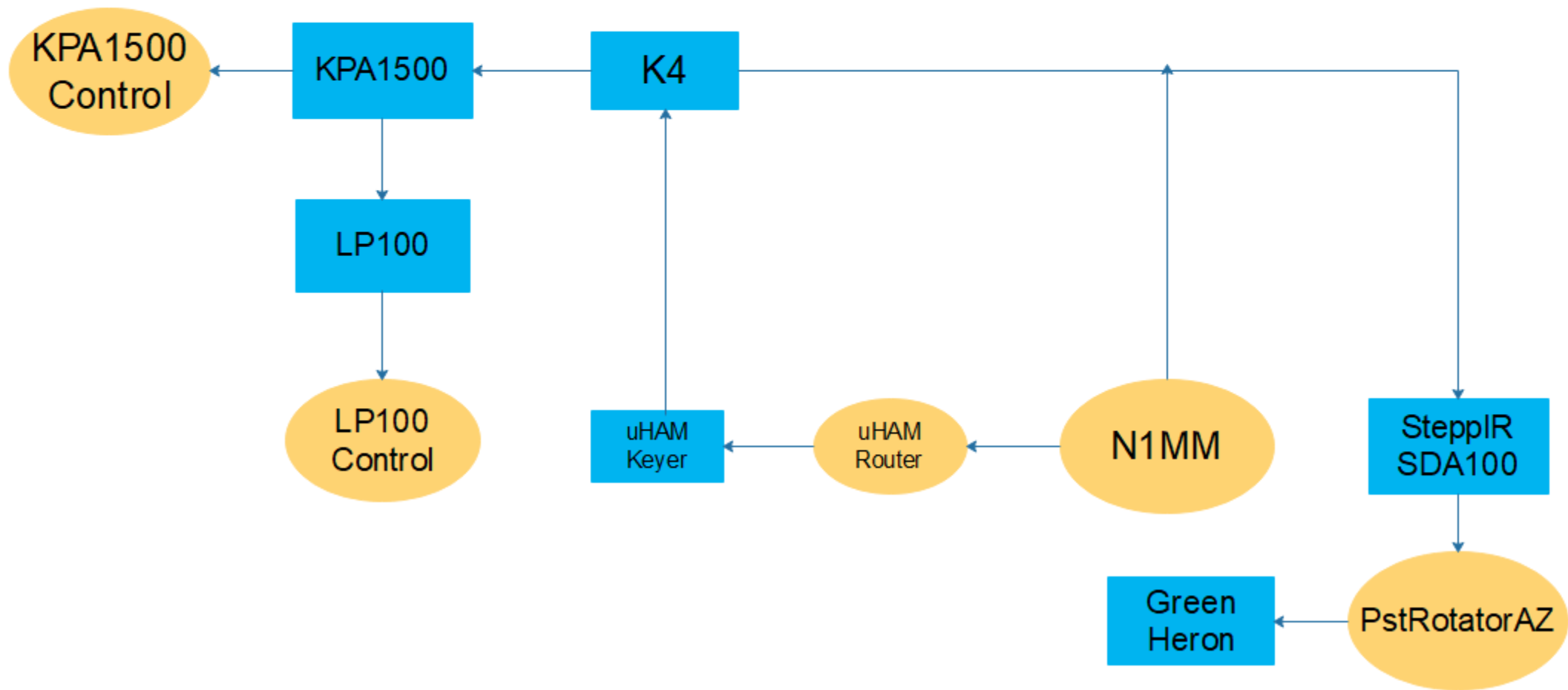


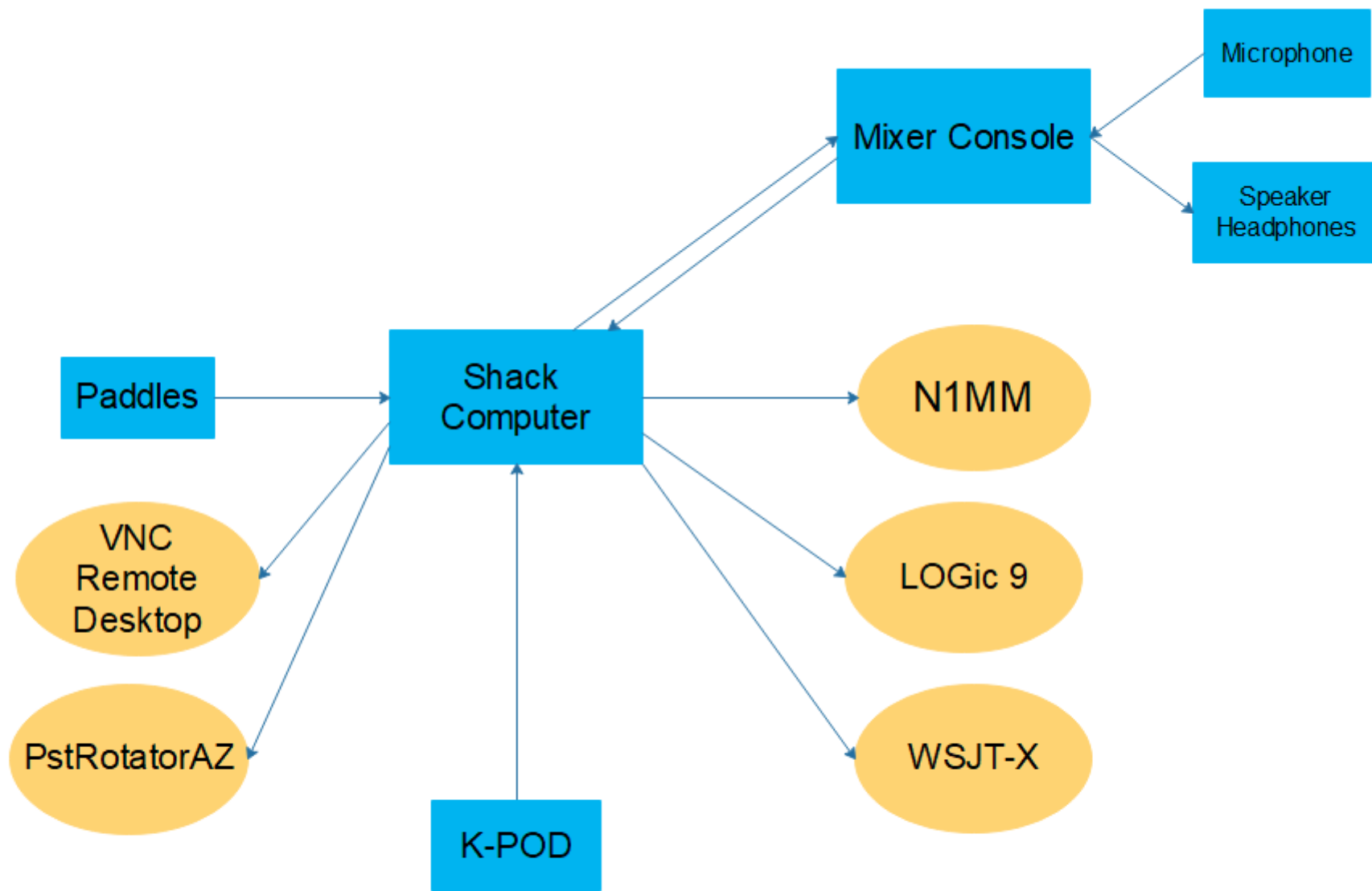
FUTURE UPGRADE PLAN:

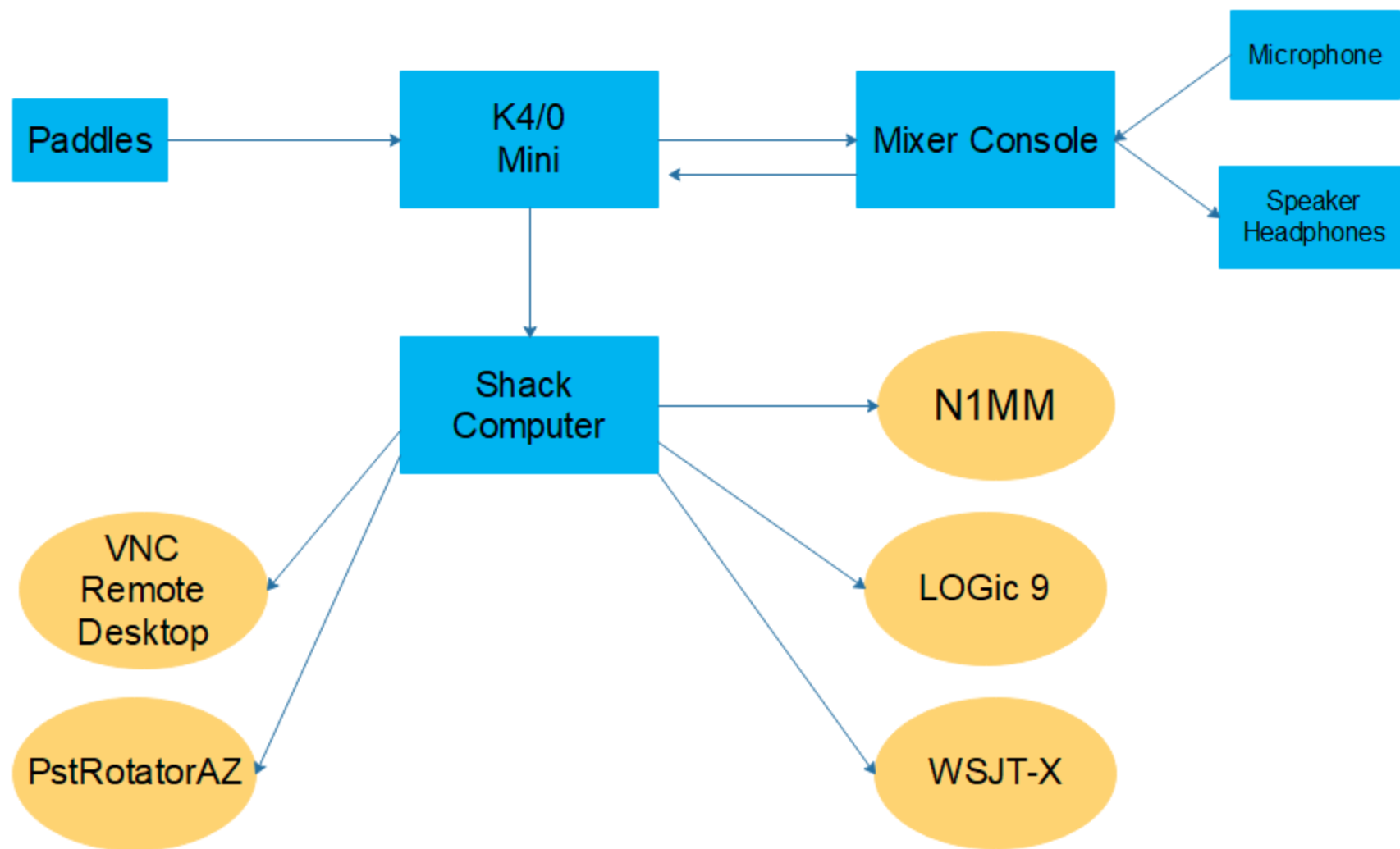
Get a K4!

Eric and Wayne...Please please

please please please please please please....









N6IE REMOTE
WOULD MAKE THE
PERFECT SITE TO
BETA TEST THE
K4/O MINI!



N6IE REMOTE
WOULD MAKE THE
PERFECT SITE TO
BETA TEST THE
K4/O MINI!

It goes right
there...

N6IE REMOTE STATION

Ron Castro

Northern California Contest Club

October 2020