



Publication of the
Northern California
Contest Club



Issue 551

April 2018



Inside this Issue:

	Page
Presidents Report	1
NCCC Contact information	2
VP/CC	6
April Awards Meeting	9
2018/2019 NCCC Election	24
New Member - KJ6WH	25
Awards meeting Photos	26
Point Generator Profile – W6FB	37
160 Meter Contest results	44
KB Awards	45
Flex Radio Upgrade at N6RO	48
7QP	52
P49Y Trip Notes - Andy AE6Y	53
NCCC News	61
Tube of the Month	62
Club News	64
Contest Calendar	65
NCCC Information	68
HRO	69

NCCC Meeting Saturday 12th May

11:30 AM Social Hour, 12:00 PM Lunch 12:30 PM Program

Location

2882 Kitty Hawk Rd, Livermore, CA 94551

Program:

Station Optimization for the Modern single op

Tom W2SC

Click [here](#) to sign up

See You There !

President's Report

Hey KB'ers,

Wow! Three years as your President are about to end. That makes me one happy guy but also a bit melancholy. I have loved almost every minute as the President of NCCC. Yeah, there have been times when I have been pulling my hair out for one thing or another but, all-in-all, it's been a fun run.

It would never have been a fun run without the absolutely awesome board members I have had the extreme pleasure of working with over the past three years.

When K6MM twisted my arm to run for President, I told John I'd do it with a few conditions:

1 – John, K6MM, and Dean, N6DE, would agree to be my advisors since this would be my first time on the Board.

2 – We would begin daytime weekend meetings to be located in the East Bay or a place relatively convenient to most of our members. (We later brought back weeknight meetings every other month)

3 – We would have Board members representing Pizza Lovers 259, the Redwood Empire DX Association, and the Mother Lode DX/Contest Club.

Continued on page 3



Northern California Contest Club

Excellence In Amateur Radio Contesting

Officers:

President	Jack Brindle	W6FB	jackbrindle@me.com
Vice President /Contest Chair	Chris Tate	N6WM	ctate@ewnetinc.com
Treasurer	Tom Carney	K6EU	treasurer.nccc@gmail.com
Secretary	Ian Parker	W6TCP	secretary.nccc@gmail.com
Past President	Bob Hess	W1RH	w1rh@yahoo.com
Director	Rick Tavan	N6XI	rick@tavan.com
Director:	Bill Haddon	N6ZFO	n6zfo@arrl.net
Director:	Bill Fehring	W9KKN	bill+nccc@w9kkn.net

Volunteers:

New Member Mentor	Al Rendon	WT6K	wt6k@arrl.net
Charter Member	Rusty Epps	W6OAT	w6oat@sbcglobal.net
Awards Chair	Gary Johnson	NA6O	gwj@wb9jps.com
CQP Chair	John Miller	K6MM	k6mm@arrl.net
K6ZM QSL Manager	George Daughters	K6GT	k6gt@arrl.net
K6CQP,N6CQP,W6CQP QSL Mgr	Ed Muns	W0YK	w0yk@arrl.net
NCCC Email reflector Admin	Phil Verinsky	W6PK	kb-w6tqg@verinsky.com
Webmaster	John Miller	K6MM	k6mm@arrl.net
Webinars	Bill Fehring	W9KKN	bill+nccc@w9kkn.net
JUG Editor	Ian Parker	W6TCP	w6tcpian@gmail.com

Thursday Night Sprint:

The Northern California Contest Club sponsors Thursday evening (NA local time) contest practice sessions of 30 minute duration.

On the Thursday (and, sometimes Friday also) prior to a major contest weekend, the practice format follows the upcoming contest.

Generally, on other Thursday evenings, a special format is followed, called NS or "NCCC Sprint". The NS began in the summer of 2004 as a snappy, concise contest occurring most Thursday nights, North American time. The power limit is 100 watts.

Thursday Night Contesting Director and Founder	Bill, N6ZFO
NCCC CW Sprint	Tom, N3ZZ (initially, Ken N6RO)
NCCC RTTY Sprint	Ken, K6MR
NCCC Sprint Ladder	Bill, N6ZFO
Sprint Web master www.ncccsprint.com	John, K6MM.
non-NCCC:	Tim N3QE (Ladder Scores manager)
Thursday night Contesting Advisory Group:	N6ZFO, Bill (Chair)
	Mark K6UFO, (with W4NZ, N4AF, W9RE, K4BAI, N3BB and W0BH).
The Thursday night NCCC Net	Ken, N6RO

Initially, the board consisted of the following:

W1RH - President

W1SRD - VP/CC

K6YL – Secretary

K6EU – Treasurer (Temporary)

N6RK – Past President

W6OAT – Director

WC6H – Director

N6IE – Director

I'll note that Tom, K6EU, was not elected Treasurer but agreed to hang in there until we were able to find a new Treasurer. With travel and family stuff to deal with, I'll always appreciate Tom's generous offer to hang on for a couple of months.

I was finally able to twist Dick's, K6LRN, arm to be Treasurer, and Dick stayed for the full three years.

The previous NCCC Board's legacy was their effort to change the Bylaws, separating the secretary and treasurer offices. This job was just too much for one person.

In the second year, Ian, W6TCP, came on-board as Secretary, replacing Joanna. In the third year, Chris, N6WM, came on board as VP/CC, replacing Steve.

Throughout all of this, John, K6MM, and at my request, gave us three years as an honorary Board member and mentor for me. Likewise, Dean, N6DE, did same in the first year.

And what an awesome Board this has been!

- In an effort to try to get back some of the harmony this club has had in the past, our first move was to clean up the reflector by creating guidelines for posting. This was added to every reflector email and posted on the website and in the Jug.

After that, we were on a three-year roll which, in part, included the following:

- Creating a Life Membership category
- Starting an annual BBQ. The first was at WC6H's QTH. The second was at N6RO's QTH. The third was at N6JV's QTH. Joanna, K6YL, and Dick, K6LRN, were instrumental in making the first BBQ a success. Ian and Dick took over in years 2 and 3.
- Bring back the NCCC Holiday Dinner (Thanks Ian, W6TCP, and John, K6MM).
- Starting up the KB Competition (Thanks Gary, NA6O, and Matt, WX5S).
- Changing the CQ Club circle to include KA6BIM and other big contest stations to the north while keeping the same southern boundary that we have with the ARRL circle. This helped us win CQWW WPX RTTY.
- Formally making NCCC a not for profit organization by creating a 501 (c) (3) non-profit status in accordance with State and Federal tax guidelines. Norm, WB6RVR (SK), Rusty, Ian, and Dick were absolutely instrumental in making this one happen. Plaque sponsorships are now tax deductible as well as donations, etc. It was a donation that got us the computer for WX5S to develop the automatic scoring for the KB Competition.
- We also outsourced our membership administration. This was a big one and all of the credit goes to Ian. In the future, this will make the Secretary's job so much easier. There are so many benefits to going on-line with Member Planet. Ian should really write an article on this before he leaves the post as Club Secretary.
- Thanks to Rusty, NCCC led the way for change in the ARRL, authoring a letter, sent to the ARRL's new and past directors and officers, which was a formal statement of NCCC's reaction to the censure of N6AA and other ARRL policies. This letter was used as a guideline by many other clubs around the country.

We could not have accomplished any of this without a Board members who were open-minded, worked together and were totally in agreement on just about everything.

We also won contests, which is what we're all about. It was so much fun seeing Chris' (N6WM) movement to win the 2018 RTTY Roundup! His passion and enthusiasm were addictive.

I want to thank all of our Directors and Officers of the past three years for making my job so much easier.

I want to thank our many volunteers, a list too long to show here but it's posted on the website. I will single out a few, however:

- Gary, NA6O, has been a fabulous Awards Manager. He's also shown himself as an entertaining presenter at our annual Awards Banquet.
- W6PK has quietly managed our reflectors and was one of the first members I dealt with when I came on as President.
- N6TV has immortalized so many of our events in the form of professional photos. He has also led the county activation effort for CQP and also was the first to alert the Club to the N6AA controversy in the ARRL.
- Our Sprint and flogger team: N3ZZ, N6ZFO, K6MR, N6RO, K6DGW, and W6RGG.
- Our past and present Webinar guys, Chris, KG6O, and Bill, W9KKN.
- Our CQP team, led by K6MM and in my first year, K6TD.

- Dave, K6KNS, who spent so much time managing the tables at Pacificon and Visalia.
- K6XX, who always schlepped the kegs to Visalia for the NCCC Hospitality Suite. Also, Ron from the Tide House, who supplied the kegs, and Saraj (KU6F) and Alan (K6SRZ) who did the shopping for treats.
- Rick, N6XI, and Ann, KD6MOV, for hosting that wonderful “Sierra Chapter” BBQ every year.
- K6MM, as Webmaster for the CQP and NCCC websites.

I know there are others who should be on this list and I know I’ll think of them right after I send this article to Ian. Don’t worry, I’ll slap myself when that happens!

Last, but not least, I want to thank the nearly 200 members who have participated in at least one contest on behalf of our club. Without all of you, we would not be one of the world’s best contest clubs.

We now have a new Board, filled with world-class contesters and respected members of our Club. It will be led by one of the best, Jack, W6FB. There will be some consistency with the prior board, since I’ll still be on-board as Past President, and Chris and Ian will still be there as VP/CC and Secretary. Jack has some terrific ideas, and he will have 100% of my support to make his ideas happen.

Bob W1RH



*N6WM at IDXC Visalia 2018 (photo courtesy of Steve KL7SB)
VP/CC's Corner - April*

Visalia – Dayton – WPX CW – Antenna Maintenance (squeeze in WRTC).... Rinse and repeat!

Thanks W1RH!

As I write this we are approaching May, and nearing the conclusion of the 2017-18 contest season. I wanted to extend a big KB! To Bob Hess, W1RH for 3 years of exemplary service and leadership of the NCCC. Not only is Bob a great leader, he is also a genuinely nice person. Bob it was my honor to work with you as VP/CC of the club over the last year, as our travels took us to Dayton/Xenia and ultimately wrapping up sitting at the NCCC table in Visalia last week. It was a great year that saw the NCCC bounce back into the unlimited club winners circle and put our NAQP teams at the top of the pack. Folks got excited about our new and successful KB! Competition, and a number of our fellow Northern California contesters qualified and will be heading off to WRTC in Germany this summer to compete. It was an honor and pleasure Bob and most importantly, thanks! We will definitely catch you... down the log.

Welcome back aboard W6FB!

Jack and I have worked together before. Back in 2010 he and I were a great Prez/VPCC team. I am extremely excited to have the opportunity to work with W6FB again. He is a dedicated, thoughtful and detail oriented leader, with a clear vision for his mission. I look forward to a great year ahead for the 2018-2019 season with Jack at the helm. Welcome back Jack!

Dayton/Xenia-Where contesters and hams all celebrate!

Since I mentioned Dayton/Xenia, I sure hope a good number of you get out to Ohio for this event. Much like Visalia, where it's not necessarily the event itself that is special, it's the eyeball QSO's that really are the main attraction. Dayton/Xenia is this on steroids, as one gets the opportunity to meet or reunite with folks we compete with from all over the world, share a beverage with, and just enjoy our pastime together. If you have not been before, or if you have not visited the new Xenia version of Hamvention, I highly recommend it! Here are some pics from 2017



We still have a little work to do.. WPX CW!



Remember, WPX CW is approaching. The WPX contests really need to be a focus for the NCCC at all times. All of them. The multiplier format of the WPX contests are such that we CAN compete in, despite our geography. Providing we have a reasonable number of contestpeditions, we can do really well, and here at the home front, all our multi-operator stations should be staffing up, our single operators resting up and preparing for the long haul, our little pistols squeezing every last db out of their antennas so we, collectively as a team can realize another success. I know you can do it, I know WE can do it. So be qrv for WPX CW the weekend of MAY 26-27 2018. Just a few weeks away.

And then.. Maintenance

Well the annual station maintenance windows is swinging open again. In Visalia last week I had a great chat with Hector XE2K, and was able to chat briefly with K7NV. As we roll into the summer-time, these two fellas will certainly be good guys to be in touch with. After WPX, and perhaps IARU/WRTC, it becomes time to make sure our aluminum gardens are up to speed. Putting up new antennas, fixing damage from the winter, changing rotors, implementing new transceivers, overhauling the shack. I wish you all a safe summer maintenance cycle, Please contact the tower busters if you are not 100% confident. These guys are the pro's, they do it safe and with the best quality. Good luck and hope to hear your signals inch ever louder in the next contest season!

73 es KB

Chris
N6WM
VP/CC



April Annual Awards and Elections

The Annual Awards meeting and Elections took Place on Saturday 7th April at the Tied House in Mountain View.

In attendance (40) Andy AE6Y, Stefan AF6SA, Ed AJ6V, Tom K6EU, Don K6GHA, Dick K6LRN, John K6MM, Rob K6RB, Alan K6SRZ, Carolyn K6TKD, Mark K6UFO, Bob K6XX, Joanna K6YL, Jim K9YC, Jerry KD6WKY, Lee KI6OY, Brian KJ6WH, Gordon KM6I, Saraj KU6F and Allison, Tom N3ZZ, Rich N6KT and Ann, Bill N6ZFO, Mike N7MH, Gary NA6O, Tom ND2T, Tom NW6P, Steve W1SRD, Tom W2SC, Jack W6FB, Glen W6GJB, Rusty W6OAT, Ian W6TCP, Ken W6XB, Bill W9KKN. Rich WC6H, Matt WX5S with President Bob W1RH presiding over the meeting.



Photos by Gary NA6O

KB Awards



3rd Place
1.24 GigaPoints
27 contests

W6SX
Hank Garretson



Major KB with
nothin' but wires
in the trees





2nd Place
1.31 GigaPoints
27 contests

KA6BIM
Dave Tucker



Big antenna farm,
big results



KB Award 1st Place



1st Place
1.79 GigaPoints
31 contests

N6ZFO
Bill Haddon



**In It To Win It...
and he did!**



RTTY RU 1000+

RU-1000 AWARD Plaque level

RU-1000 recipients

First time award:

Jim Duffy W6EU – congrats!

Additional recipients

KRYC	Jim Brown	1000
NW6P	Tom McShane	1000
W1BH	Bob Heas	1000
W6DR	Dave Ritchie	1000
W6SX	Hank Garretson	1000
W6GH	Rich Cutler	1000

And a special shout out to W6YX for producing 3 individual 1000 level multi op achievements!

K6SU @ W6YX (N6DE, W6LD)	Dean Wood, John Fore	1000
N6DB @ W6YX (K22V, N6DB W6RK)	Nick Ullman, Rebar Rebarchik, Risto Kotilampi	1000
W6YX (K6TJ, N7MH)	Peter Mahowald, Mike Heideman	1000

RU-1500 AWARD

RU-1500 recipient

N6IE Ron Castro

RU-2000 AWARD

RU-2000

Chris Tate N6WM (@N6RO)

W7RN (Jeff Stai WK6I op)

RU-3000 AWARD(out of circle)

RU-3000 Award

P49X (Ed Muns,
W0YK)

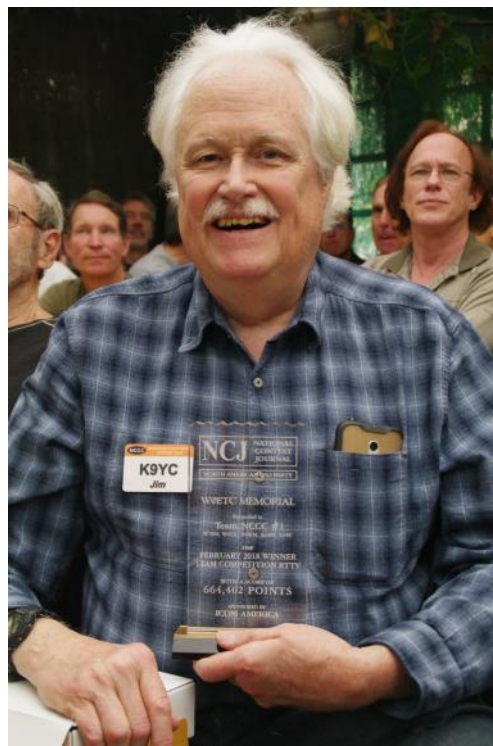


NAQP RTTY - Mark K6UFO

NAQP RTTY Feb 2018

- NCCC operators swept all Single-Operator categories:
 - 1st Place Single-Op Low Power: W7RN operated by Jeff, WK6I
 - 1st Place Single-Op QRP: NN7SS operated by Mark K6UFO
- AND, NCCC fielded the 1st Place Team: NCCC#1
 - W7RN operated by Jeff WK6I
 - W6YX operated by Mike N7MH
 - N6WM Chris
 - K6MR Ken
 - K9YC Jim

Congratulations!



CQ WW DX Founders Award

CQWW DX Founders Award

Awarded to the individual with the highest combined score (CW + SSB)
in the CQ WW DX contest, Single Operator category,
in honor of NCCC Co-Founder Jim Neiger, N6TJ



2017 CQWW DX Founder's Award

K6XX
Bob Wolbert



QSOs		Points	
CW =	1,916	CW =	2,166,072
SSB =	2,393	SSB =	3,200,922
TOTAL =	4,309	TOTAL =	5,366,994

2017
K6XX
5,366,994 POINTS



Operating Awards

NCCC – **Rookie of the Year**

Individual award to someone who has joined NCCC during last 1-2 years and who has shown great energy and commitment to the spirit of contesting through participation and results.



W9KKN

Bill Fehring



NCCC – **Most Improved Contester**

Demonstrated Year-To-Year Improvement
Willing To Try New Modes (CW, SSB, RTTY)
Always Looking To Contribute Points



W6TCP

Ian Parker



Operating Awards

NCCC – Elmer of the Year

Individual award to an outstanding trainer and Elmer who is always willing to coach others



K6RB

Rob Brownstein



NCCC – Team Builder

Individual award to an active volunteer who helps strengthen contesting station capability by solving technical or operating problems.



N6WM

Chris Tate



Operating Awards

NCCC – Inspiration Award

Individual award to a member of NCCC who inspires each and every one of us through personal courage and a positive attitude



NW6P

Tom McShane

NCCC – Operating Excellence Award

CW Mode



K6XX

Bob Wolbert



Operating Awards

NCCC – Operating Excellence Award

SSB Mode



WX5S

Matt Thomas



NCCC – Operating Excellence Award

RTTY Mode



K6MR

Ken Beals



Operating Awards

NCCC – Most Valuable Player

Individual award for invaluable support to the entire team.



NA6O

Gary Johnson



NCCC – Contester of the Year

Individual award to a multi-talented operator for outstanding overall contesting performance



W2SC

Tom Georgens



Presidents Awards



Closing

Thank You For Your Service!!

- **The NCCC BoD Team:**
W1RH, N6WM, K6LRN, W6TCP, N6EE, N6RK, W6OAT, W6GH (K6YL, W1SRD)
- **BoD Advisors:** John, K6MM; Dean, N6DE
- **CQP Team:** John, K6MM; Tom, N6ET; Bob, N6TV
- **NCCC Sprint/NS/RTTY Team:** N6RO, N6ZFO, N3ZZ, K6MR
- **Webmaster –** K6MM; **Jug Editor –** W6TCP; **Webinars –** W9KKN
- **Contest Floggers:** Bob, W6RGG; Skip, K6DGW; Bill, W9KKN
- **Email Reflector:** Phil, W6PK
- **IDXC and Pacificon NCCC Volunteers:** Alan, K6SRZ; SaraJ, KU6F; Dave, Bob, K6XX; Dave, K6KNS; Joanna, K6YL; Rick, N6DQ



Thank You for Your Service!

AWARDS MANAGER:
GARY, NA6O





Leadership Award



To our outgoing
president
of 3 years,

Bob, W1RH



Elections



2018/2019 Board of Directors - Officer Candidates

The following were duly elected to the Board of Directors 2018/2019 following a vote by the members in attendance.

President	Jack Brindle, W6FB
VP/CC	Chris Tate N6WM
Secretary	Ian Parker W6TCP
Treasure	Tom Carney, K6EU
Past President	Bob Hess W1RH
Director	Rick Tavan N6XI
Director	Bill Haddon N6ZFO
Director	Bill Fehring W9KKN

Recorded by Ian Parker, W6TCP
Secretary, NCCC

Welcome New Member

Brian Davis, KJ6WH
Saratoga, CA

























THANK YOU ALL FOR A GREAT EVENT - SEE YOU IN 2019 !!

Point Generator Profile Bob, W1RH

It would only seem appropriate that our new President be our featured Point Generator this month. I can't begin to tell you how happy I am to see Jack, W6-Fine Business (W6FB), as our new president. Jack has a long history of contesting, as you can see from his profile, below. A quick look at the 3830 website shows Jack submitting scores since 2005, but we all know he was generating points way prior to 2005. Sweepstakes and NAQP are big on Jack's resume!

Now, more from Mr. President:

Name/Call Sign: Jack Brindle, W6FB

Past calls: WN4WXF, WA4FIB, WB5KQJ

Location: Campbell, CA - CM97ah

How much property do you have? Standard City lot, 125 x 72.

Describe your antenna system:

Current: My current antenna system consists of a 250-foot horizontal loop at 35 feet, and a Cuscraft A3 (upgraded with A3S hardware) on a 40 foot push up mast. The A3 was originally at 35 feet, but has now managed to lower itself to a bit under 25 feet. That is from a combination of the mast not being pinned properly after the last work detail, and the mast screwing itself into the ground as the wind has twisted it.

Future: I took advantage of a US Tower special at IDXC, so a real crank-up tower will soon replace the mast allowing me to set the A3 back at its proper height. I expect more points and will have to find something else to complain about.

What's in your shack?

Elecraft K3, P3 panadapter, KPA500 amplifier, W2 Power/SWR bridge and KRC2 band controller. I recently added a K3S with a P3 of its own. Also are YCCC SO2R+ box, 5BAGN band pass filters and several home-brew controllers. All this is controlled from the station Mac mini computer. The antennas are fed through a home-brew protection unit that should handle most static events. I have been undergoing a shack upgrade over the last several months, and the upgrade continues with the aim of SO2R capability. This will add to, modify or replace some of the things described above.

What are your previous QTH's?

Grew up in Miami, FL (WN4W XF & WA4FIB), college in Lake Charles, LA (WB5KQJ). I spent time in Wethersfield, CT (working in near-by Newington), Ft Lauderdale, FL, Marietta, GA, Bothell, WA and the last 22 years in Campbell.

If you're working, what is your career? If not, what was your career?

Still enjoying working. Ham radio guided my career choice, first guiding me into electrical engineering in college. I took a year off from college to work as a lab tech at ARRL headquarters where I learned much from folks like W1CER (W1FB), K1PLP (K1TD), and W1YL, and fell in love with microprocessor and digital systems development (thank you W1ICP!). By the end of that year the importance of finishing my college degree came sharply into focus, and I returned to earn degrees in both EE and Computing Science. My early career involved portable RF data communications with Motorola (paralleling my ham radio packet work), followed by a system architecture role with several companies in Silicon Valley including Apple and Sun Microsystems. I have now pivoted to concentrate on crafting great applications on the Macintosh computer. Over the last 15 years I have also had the opportunity to work with the truly outstanding folks at Elecraft where I have been involved with creating several outstanding products that many of us use. The retirement horizon is not far, and I look forward to having even more time to continue to create cool things and do the things I truly love doing!

Married? Kids? Grandkids?

Jennifer, KB4TGE and I have been married 41 years. We have three kids. We (and they) aren't quite ready for the concept of grandkids.

How many DXCC entities have you worked?

120 confirmed through LOTW, almost all worked during contests. I am a contester first and foremost, you see.

What's your favorite contest?

I have a love for ARRL Sweepstakes that goes back to the early days of my ham life. We had a competition among colleges in Louisiana for SSB Sweepstakes in 1975, which I managed to win. I have been hooked ever since. I also have a love for Field Day, the non-contest contest, dating back to my days in Miami with the Miami Radio Club. I really enjoy introducing hams to the contest environment, teaching them how to do things and helping them to the true joy we know of working stations in rapid-fire fashion. I will again be active with WVARA's Field Day this year. Come join us!

Any tips for contesters?

Practice, practice, practice. Don't be afraid to ask questions, and always look to learn new things and improve your skills, both operating and technical. Most importantly, join a contest club where there are a lot of others who can provide tips and answer questions. I can't think of a better one than NCCC!

What would you like to see changed in NCCC?

Larger effort to infect other hams with the contesting bug that infects us, which will grow the club. Projects to improve our shacks and skills, and add to the fun we have as contesters.

Greater emphasis on the areas of contest station building and activities beyond operating.

There will be more on this very soon!

Any other hobbies besides ham radio?

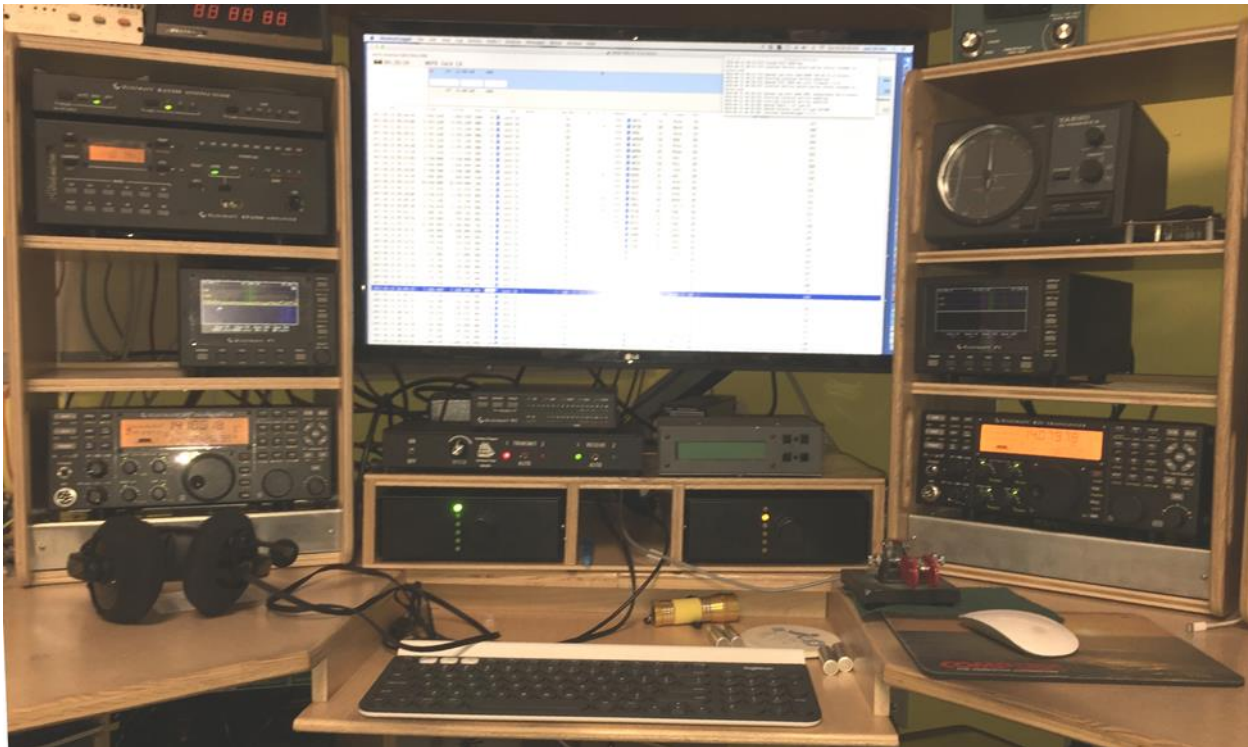
Certainly! I love creating things and playing with them. This includes software applications on the Macintosh without the stress of deadlines and processor-controlled boxes for my own use (both ham-related and other). I also enjoy woodworking and model railroading. At this point the trains have taken a back seat to other things, waiting for the time when I can devote more time to them and less time in commuting to work...



Left (Green coded) station. K3 with P3 and KPA500/KAT500 pair



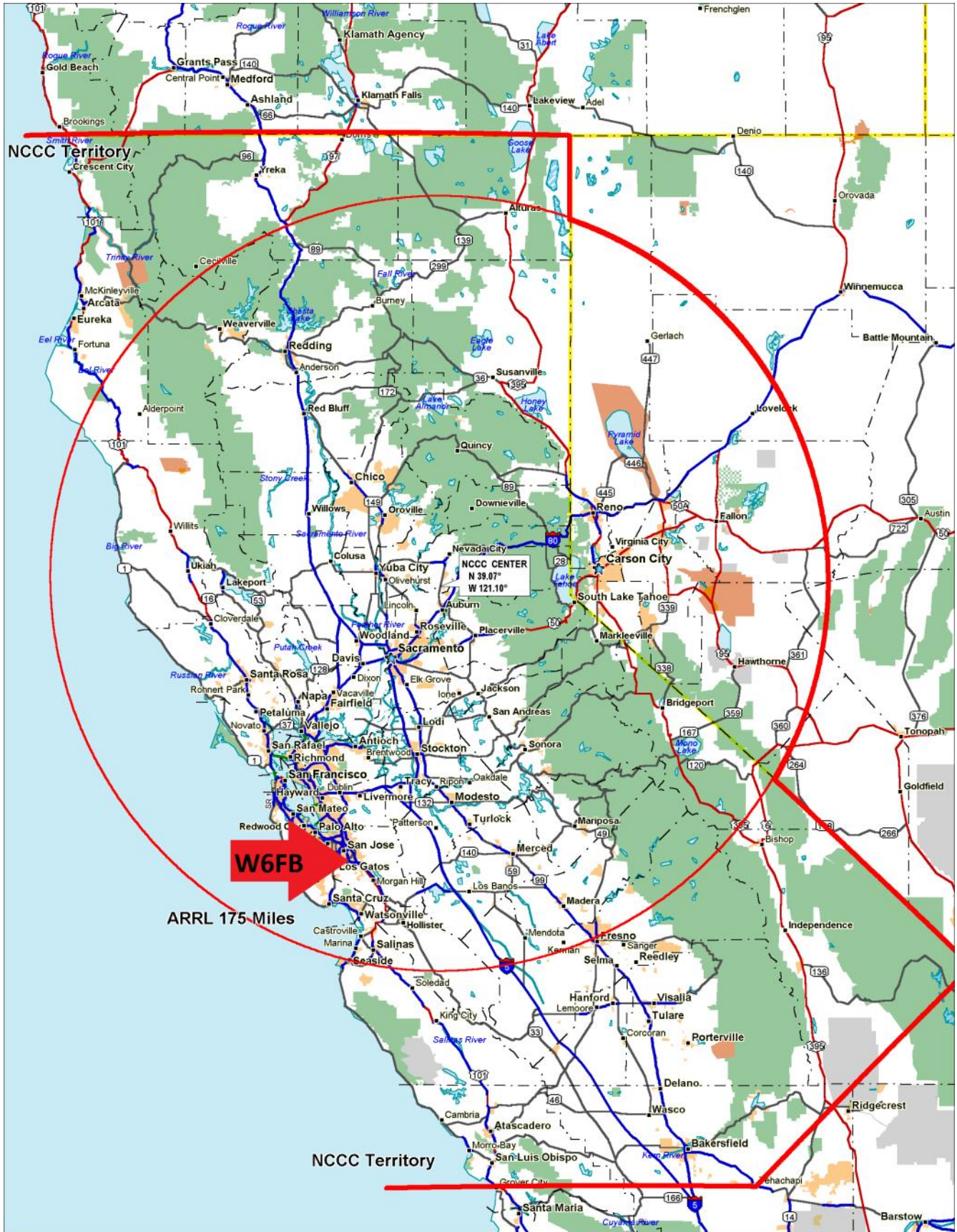
Right (Yellow coded) station - K3S with P3. The Rotor is ready for the new tower to arrive!



Station from the ops viewpoint. The 4K monitor gives lots of real estate for contest information!



Cushcraft A3 with soon to be replaced push-up mast



© 2002 DeLorme, Topo USA ®. Data copyright of content owner.
www.delorme.com



2017 ARRL 160 Meter Contest Results

Northern California Contest Club - John K6MI

With many categories to enter there will be a lot of certificates for NCCC members, both as Pacific Division and section winners. Pacific Division winners were W6DR (H), N6DZ (D), and K6MI (A). In the medium club category NCCC was 12th, with about twice the score of SCCC.

2017 ARRL 160 Meter Contest Northern California Contest Club Entries 1 to 22 of 22

#	Call	Score	QSOs	Mult	Class	Section	Club	Ops
1	N6ZFO	118,766	659	86	C	SF	Northern California Contest Club	
2	W6DR	102,085	581	85	H	SCV	Northern California Contest Club	
3	K7XC	58,238	386	74	H	NV	Northern California Contest Club	
4	K2RD	53,048	343	76	H	NV	Northern California Contest Club	
5	W6JTI	41,480	296	68	B	SF	Northern California Contest Club	
6	W6SX	40,896	279	71	H	SJV	Northern California Contest Club	
7	K6RB	38,430	315	61	C	SCV	Northern California Contest Club	
8	KA6BIM	35,392	263	64	G	OR	Northern California Contest Club	
9	N6DZ	32,092	217	71	D	EB	Northern California Contest Club	KX7M W6NV
10	K9JM	28,224	218	63	C	SV	Northern California Contest Club	
11	N6IE	27,064	190	68	H	SF	Northern California Contest Club	
12	K6NV	26,070	237	55	H	SV	Northern California Contest Club	
13	N3RC	25,764	217	57	H	SF	Northern California Contest Club	
14	WB6JJJ	14,092	128	52	H	SV	Northern California Contest Club	
15	KE6QR	12,675	161	39	B	EB	Northern California Contest Club	
16	N6PN	9,890	115	43	G	EB	Northern California Contest Club	
17	KM6I	8,080	98	40	C	SCV	Northern California Contest Club	
18	W6EU	7,566	97	39	C	SV	Northern California Contest Club	
19	K6MI	2,550	41	30	A	SJV	Northern California Contest Club	
20	W6GJB	1,102	26	19	H	SCV	Northern California Contest Club	
21	W7TR	650	25	13	G	SV	Northern California Contest Club	KH2TJ
22	K6KQV	2	1	1	B	SCV	Northern California Contest Club	
	Totals	684,156	4,893	1,175				

Class A - Single Op QRP B - Single Op Low C - Single Op High D - Multioperator High Power
 F - Single Op Unlimited QRP G - Single Op Unlimited Low H - Single Op Unlimited High

NCCC Annual KB Competition Rules

Revised February 25, 2018



Purpose: To provide a means of rewarding NCCC members who are DX contesters, sprinters, VHFers, and especially active contesters in all modes.

Time period: The contest year starts at 0000 March 1 UTC. ARRL DX SSB is the first contest of the year. NAQP RTTY is the last.

Eligible contests: Currently, points from 38 contests are counted. See the table on the next page

Scoring: Score = number of contests in which you participated * sum of (points for each contest * each contest's multiplier). NCCC weekly sprints are special. Points for the entire year are added up, but it is only counted as a single contest.

Multi-ops: Points = total score divided by the number of operators.

Station owners: A station owner who does not participate in a particular contest receives 25% of the points.

Valid scores: Only scores posted to 3830scores.com are counted.

Brackets: There are four independent brackets for the purpose of awards: 1-Platinum, 2-Gold, 3-Silver, and 4-Bronze. Brackets are assigned at the beginning of the contest year according to your final position in the previous year's standings.

Awards: Paid NCCC members may receive awards.

Contact: Gary, NA6O. gwj@wb9jps.com

NCCC Annual KB Competition Table (Updated 2/25/18)

Contest	Month	Multiplier
ARRL DX Contest SSB	March	5
CQ WPX SSB	March	1
NA Sprint Spring SSB	April	100
JIDX CW	April	10
Florida QSO Party	April	20
7th Area QSO Party	May	20
New England QSO Party	May	30
CQ WPX CW	May	1
ARRL June VHF	June	200
All Asian CW	June	10
RAC Canada Day	July	10
IARU HF World Championships	July	5
NAQP Summer RTTY	July	50
NAQP Summer CW	August	50
NAQP Summer SSB	August	50
Kansas QSO Party	August	20
NA Sprint Fall CW	September	100
CQWW RTTY	September	2
NA Sprint Fall SSB	September	100
CQP	October	20
<u>Makrothen</u> RTTY Contest	October	10
JARTS RTTY Contest	October	5
CQWW SSB	October	1
ARRL Sweepstakes CW	November	15
JIDX SSB	November	20
ARRL Sweepstakes SSB	November	15
CQWW CW	November	1
ARRL 160 Meter Contest	December	50
RAC Winter	December	10
ARRL RTTY Roundup	January	50
NAQP Winter CW	January	50
NAQP Winter SSB	January	50
NA Sprint Winter CW	February	100
CQ WPX RTTY	February	1
ARRL DX Contest CW	February	5
NAQP Winter RTTY	February	50
NCCC Sprint CW	Weekly	50
NCCC Sprint RTTY	Weekly	100

Platinum	Gold	Silver
AD6E	AJ6V	AI6JZ
AE6Y	K6AW	K6AAM
AF6SA	K6DGW	K6CSL
K2RD	K6IJ	K6ELE
K3EST	K6NV	K6JS
K5RC	K6RIM	K6KLY
K6GHA	K6TLR	K6KNS
K6LRN	K6UFO	K6KR
K6MM	K6XN	K6RB
K6MR	K6XV	K6ST
K6SRZ	KH2TJ	K6UM
K6XX	KH6LC	K7GK
K7XC	KM6I	K7MKL
K9YC	N0KQ	K7NV
KA6BIM	N2NS	KA6W
N6EE	N3RC	KD6WKY
N6IE	N3ZZ	KE8FT
N6JV	N6KT	KI6OY
N6RO	N6PN	KM9R
N6TV	N6XI	KO6LU
N6WM	NC6R	KX7M
N6ZFO	NJ6G	KZ2V
N7MH	NQ6N	N1DID
NA6O	NW6P	N5KO
W0YK	OH1VR	N6AJS
W1RH	W6DR	N6DE
W1SRD	W6EU	N6DW
W2SC	W6FA	N6GEO
W6NV	W6JTI	N6JS
W6OAT	W6NF	N6NU
W6SX	W6RC	N6RK
WB6JJJ	W6SR	N6VV
WC6H	W9KKN	N9YS
WK6I	WA6O	ND2T
WX5S	WU6X	NF1R
		NK7U
		NR6Q
		VY1JA
		W6LD
		W6NL
		W6RGG
		W6SC
		W6SZN
		W6TCP
		WE6Z

KB Award Brackets - New for 2018

There are four independent brackets for the purpose of issuing awards: 1- Platinum, 2- Gold, 3-Silver, and 4-Bronze.

Your bracket is assigned automatically at the beginning of the contest year according to your final position in the previous year's standings. New members or those who have never posted a score to 3830 default to the Bronze level.

On the left, is an alphabetical list of the current assignments to the top three brackets.

If your call is not listed, you are in Bronze. If you believe your current bracket is incorrect, please contact NA6O.

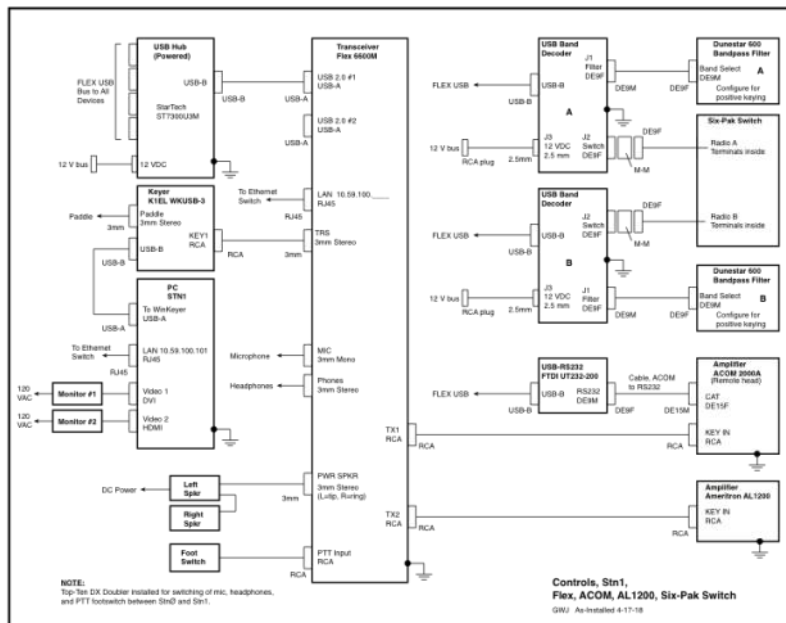
The FlexRadio Upgrade at N6RO

Gary, NA6O

At the behest of Chris, N6WM, a commitment was made at Radio Oakley to move to the FlexRadio platform at the primary SO2R position. It's a big step for us older farts who have somewhere between zero and limited experience with the SDR world, but Ken decided to go ahead and take the plunge. A shiny-new 6600M arrived in February, and after some planning, we finally decided to pull the trigger and get it installed during April, replacing a pair of K3s. Actually, one K3 stayed at that location, so it's really an SO3R position, at least for RTTY contests. For now, the Flex will be driving a pair of existing amplifiers but a new PowerGenius XL is on order. That remarkable setup provides a very clean two-box solution for SO2R.

Realize that the N6RO shack has a very long history of updates and changes with work performed by literally dozens of hams over the decades. Like any of our stations, some work was orderly, some was not. Sometimes there was money to spend, sometimes there was not. Layers of cable, interface boxes, and what-not accumulated over the years. Most importantly though, the foundation is good: Solid old benches, a good 120V power and grounding system, and of course a fabulous antenna farm to hook up to!

The station has six operating positions, and Stn1 is the one we tore into. Next to that one, Stn2 and Stn3 occupy the North set of tables. So that area was the focus of the work. I started out by labeling and documenting everything as-is, and then creating drawings for the new configuration. The cabling diagrams for each radio consisted of one for controls, and another for RF routing. Each control cable has its connector types identified, as well as the name of the jack that it plugs into. This scheme is something I learned long ago while working on rather complicated experiments at LLNL and it has served me well. My goal was to apply labels to nearly every cable during installation.



Cabling diagram for the Flex 6600M at Stn1.

This was also a prime opportunity for a wholesale cleanup and rework of the entire area. I started by removing everything from the tables and giving it all a good vacuuming and scrubbing. Nearly all the RF cabling was also removed. Next, the bonding system got a full rework so that every piece of equipment would have a very short and stout connection. (Actually, I was pleased to find that it was in pretty good shape to begin with.) Step three was to install a new 12V accessory bus thus reducing the temptation to haywire small items and add evil wall-warts. I also built a heavy-duty shelf to go under the existing benches. It carries amplifiers, power supplies, and the high-power bandpass filters. At last, everything is off of the floor, which as been known to flood.

Some new hardware was purchased or built to clean up the controls and switching. The Flex supports USB-based interfaces, so we went with USB relay boards to control antenna switches, and a USB serial cable to set the bands on the ACOM 2000A amplifier. For the existing K3, we added interface boxes from N6TV. Bob just introduced a new product called the S-BOX to go along with his famous Y-BOX. The new one includes RTTY FSK transistors and was just what we needed. These building blocks simplify the cable plant and eliminate the need for custom harnesses.

An important ongoing upgrade has involved replacing old (some very old) RG213 with new double-shielded coax including BuryFlex, LMR400, and RG142. The intent is to reduce inter-station interference and noise pickup due to shield leakage and unseen corrosion in old connectors. During initial turn-on, we noticed a new broadband, periodic noise source, which is really easy to see on the Flex waterfall displays. Where was it coming from? I started by disconnecting right at the back of the rig, then adding connections one by one, out toward the antennas. It seemed like it was a power meter, picking up something from a nearby computer. In reality, it was one of those old chunks of coax I had overlooked. Replacing that with a new BuryFlex jumper completely eliminated the noise. Lesson learned!

Some other steps were taken for noise reduction. Nearly all switching-type wall warts have been eliminated from that side of the room. Instead, we try to power everything off of the 12V accessory bus. Cables that are likely to radiate or pick up noise have common-mode chokes applied. Another advantage of the Flex platform is its extensive use of virtual audio cables. Other than a microphone input and a speaker output, there are no other physical audio connections to worry about.

After two long days and a whole bunch of Brother labeling tape, Stn1 is now ship-shape and fully Flex-ified. The learning curve has just begun, however, and there is still some more finishing work to be done. Another thing I'm really looking forward to is remote access. Talk about a dream station for DXing!

Thanks to Bill, AI6JZ, for helping with the build, and to N6WM for providing the Flex configuration expertise.



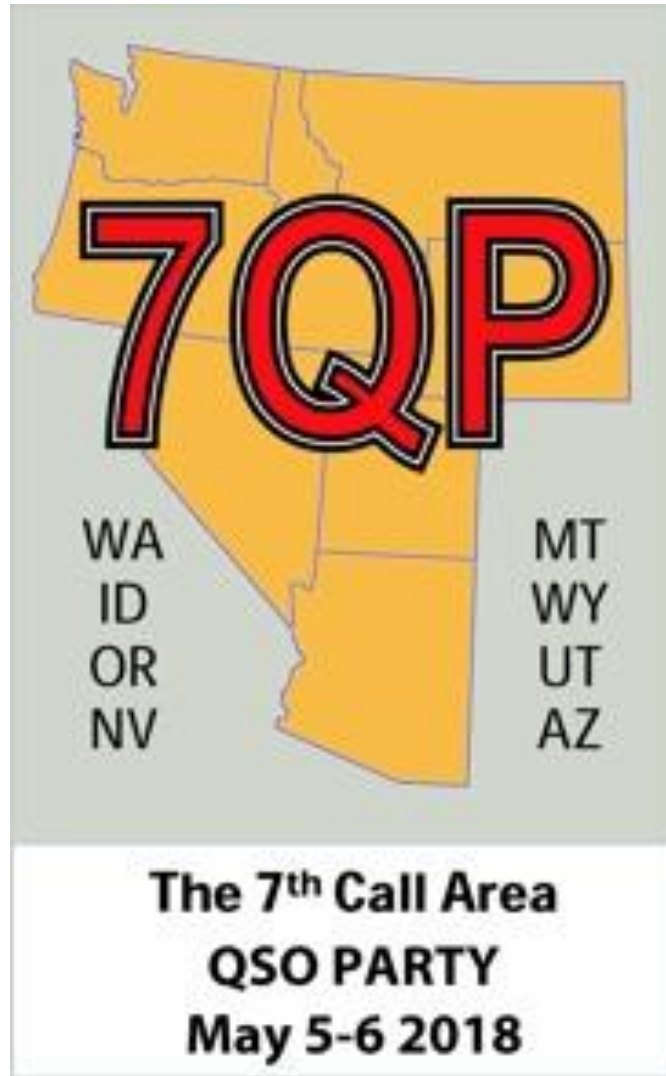
AI6JZ configures bandpass filters.



Station 1 before conversion.



Station 1 after, with its proud owner at the helm.



The contest begins at 1300 UTC Saturday to 0700 UTC Sunday (6 AM to midnight PDT 6:00 a.m. PDT on Saturday May 5th!

We are beginning to see some planned activities on the website, but I only see eight counties covered in Utah so far. It would really help us who plan to operate mobile/portable or on a county line, if you would send an email to 7qpinfo@codxc.org and let us know which county you will be operating from. We would like to activate as many counties as possible and some of us need to make room reservations or plan a route to drive.

We don't need a commitment for an all out effort; we will appreciate any time you can spend on the air that day. Come and participate. It's a lot of fun!

P49Y Trip Notes March 2018 WPX SSB

Andy Faber, AE6Y
4/3/18

Wednesday, March 21 – Thursday, March 22, 2018. This was intended to be an unusually short trip, cutting off a day at either end of my normal Tuesday night to Tuesday morning stay, since Holly and the grandkids are arriving Tuesday of next week. The AA red-eye, leaving SFO at 9:44 p.m. was uneventful, then there was a scheduled layover at the Admiral's Club in MIA till my 11 a.m. Aruba flight. I carried the K3 in my backpack and had no problems with TSA (actually, haven't had to take it out in years, come to think of it). Before leaving I spent some time modifying CQPWIN 12.9 to allow phone messages to be sent on a K3 or Icom radio on the radio not doing the logging. I had done this for CW messages a few months ago, but for phone the code is actually simpler, as it isn't necessary to use RadioSwitch to change the ActiveTXRadio; instead, I just send the appropriate code to activate the radios' internal message (this won't work for .wav files; only for internal messages). For Icoms (at least the Pro2 and 7600), there is no command to do this, so the computer instead closes a serial port that activates a box to connect to the MIC connector on the front panel to send the message, per the radio instruction book – so this can work for only one Icom radio at a time. No such restriction for K3s. We'll see if it is useful in the contest. Tom, W2SC, and Kathy were on the same plane, and we chatted at the Admiral's Club in SFO while killing some time.

Unfortunately, my radio setup time has been further diminished, as we were loaded on the 11 a.m. plane to Aruba, then had to get off for some maintenance problem. There was another plane at a nearby gate, but then they announced that the second plane also had maintenance problems. Eventually they announced that the plane would leave at 6:00 p.m., SEVEN hours late! Back to the Admiral's club at D15, where they took pity and gave me free meal coupons, plus putting through a call to Hertz at the Aruba airport for me. So hopefully, a car will still be waiting. Sure hope everything works at the station, as there will be very little time to fix anything.

Ok, finally did take off at about 6:30. I must say that all of the staff members of AA have been profoundly apologetic, including the captain of the Aruba-bound plane, who walked down the first class aisle personally chatting with all of us and apologizing. Nonetheless, I finally got to the house, after renting a little Suzuki Swift from Hertz (a particularly gutless vehicle, but fine for the island) at almost 10 p.m.

Fortunately, after hooking up all the antennas they all seemed to work. The only off note was the East US beverage, which seems at least 10 db down from the West US and EU beverages. This has been noted by all users this year. I hooked up the DXDoublers, using the two K3-DXD cables and the power cord in the DXD box, then installed my K3/P3 in the right position, with the shack K3/P3 remaining in the left position. This will make teardown easier. I have my laptop using just one USB port to the four-port serial output cable, with one COM port to each K3 and one to a cable that plugs into the back of the DXD for R1/R2 switching. I have the footswitch plugged into the DXD also, but in practice used VOX for the active radio. I did use the footswitch for calling guys occasionally on the second radio, since I don't want to have VOX on for that radio to avoid accidentally triggering it. A Bluetooth mouse and keyboard that I brought down (which uses a small dongle in another USB port) worked great and simplified the wiring. I moved the table from the living room into position on the left wall of the shack. It just leaves a small space for ingress/egress to the room, but is helpful for the computer, snacks, drinks, etc.

Friday, March 23, 2018. I slept soundly till about 7:15, then brewed some coffee (there was a full, unopened can in the kitchen), and did some more radio set up. A pretty quiet day. On the way to go shopping at Ling and Sons, I stopped by Ben's station in Noord to see "Joe", DK5WL and his wife Angelica, who are there for the contest and next week. We chatted some about Aruba. Shopping was a record low of \$65. On the way back, I blitzed right through Oranjestad, since there were no cruise ships in port, then stopped in at the Toyota dealership to chat with JP. After getting a drive-through lunch at Taco Bell, I went running at the airport. It was pretty pleasant, temp probably about 82, not too humid, but fairly windy. Then back to the house for final radio details, etc., and waiting for the contest to begin.

Contest Notes, more or less as dictated during the contest, Saturday, March 24 – Sunday, March 25, 2018. The contest starts off well with a 260 first hour on 20. I'm relieved that 20 is open, rather than having to start on 40.

The first night is very difficult. As I have noted before, psychologically Friday night and Saturday morning are the hardest times to keep going. It's easy to get discouraged and to think about all the other nice things you could be doing for the rest of the weekend. But I've learned that in a long contest there are highs and lows. There are times when no one seem to hear you or want to answer CQs, and there are times when a pileup rolls along effortlessly at high rates. Conditions do vary; in this contest the low bands were better Saturday night than Friday. And while high band conditions were also better early in the contest (for example, the 15meter opening on Saturday was longer than on Sunday and reached further into Europe), Sunday was more enjoyable with a bit less frantic QRM than Saturday.

A good run on 7208 mostly all US, though ZM4T calls in (on another band later as well). It's about 4 hours into the contest and I'm at 833 by 369 for 1.4 million points. I'm going to go back to the EU band, since some EUs have called in on this freq and were pretty loud. First I'm going to have a little snack .

It's now 0651Z, almost 7 hours into the contest and things are really slowing down. I have had a lot of trouble keeping up the momentum on the low bands. Have been on 80 for a little while, but only 42 Qs there. At one point things were slow and I took a little time off to regroup. Then John, W6LD, called in to ask what had happened to me. That was embarrassing; apparently a very audible mental lapse (fortunately, it never happened again in the contest!). I don't know what happened there for a while. Now at 1056 by 431 for 2.2 million pts. Unfortunately in these condx things are not likely to be better in the morning, but I'm going to get some sleep anyway. From a rate perspective and bearing in mind the double points for low bands, it's almost always better to stay here as long as possible when condx aren't good and the morning is likely to be slow on 20. I've done about everything I can on the low bands, but it seems inadequate

I take about 4 hours off then get back on 40 after a cuppa joe and start a good stateside run on 7191 at 1046Z. But at 1103 a net opens up (of course without any consideration for contesters) about half a kHz below, so I move up to 7215. It's 1143Z and I've been on 40 for about an hour and am at 769/276. Now it has slowed down with only signals from W4's. Meanwhile I listen to 20 on the second radio. It's virtually dead, then I surprisingly hear and work UA9MA at 1115Z. I start to monitor Joe as P40WL, who is single-band 20, CQing and starting to work EUs. So at 1150Z I decide to join the fray there. He seems to be hearing stations I can't, but the beam is pointed northwest, so I'm going to swing it around to Europe. Twenty is absolutely miserable. I have a 112 hour in the 12Z hour, and that's the best one of the morning. It's an EU run on 14131 and 14117 below the American band. But it's tough, signals are generally weak and the rate is disappointing.

It's now 1344Z with 519 Qs on 20 but it has been a tough slog and not much fun. There is very little activity below 14150 even though it's not hard to find a clear frequency there. Above that it's very hard to get a frequency. I'm going to take an hour off. 15 is still dead, so I don't know what else to do. I can't recall ever hearing so much QRM in any prior phone contest. There isn't a clear freq to be found for love or money and everywhere signals are strong and splattering.

I'm having terrible trouble making any contacts on 20 after getting back on at 1440Z. On 15 I've made only two contacts, CN3A and a PY. I can only hear a few stations on 15. I've been unsuccessfully calling EF8R, who is running a big EU pileup, none of which I can hear. He's in the 2800's and I'm in the 1300s [later, he was M/S, and made 50M points]. I do manage to get a run going on 14295, and in the 15Z hour 15 starts to open up to EU.

It's now 1649Z, I've been on the air for almost 12 hours, but it seems like forever. I have only 21 Qs on 15 and am going to move there now, as signals seem to be building nicely. This has been a very tough morning. On 20 I'm at 662 QSOs, overall 1494/568 for 3.8M points, but few EUs.

Well, things are looking up a bit. At 1835Z, I've had a great run on 15, with 386 contacts. I've been on 21331 the whole time but there is now weird QRM, sounding like a soap opera on frequency, with people laughing, shouting, etc. This is probably intentional interference, but there is no indication of its origin. So I continue the run on 21362. The 17, 18, 19Z hours are all good on 15, with rates of 233, 174 and 188. It's 2024Z now, and I've been on a total of 15:25 hours. 15 has been very good, with 704 Qs so far, but not as much EU as I would have liked, though there has been more in the last hour.

But I see that 10 is starting to open up. I've been listening for a while on the second radio, but in WPX there is no particular reason to change bands if you have a good rate. However, since tomorrow is unknown, it seems like a good idea to try it out while it's hot, and maybe the propagation gods will bring new prefixes. After a 9-minute break for some food, I start on a nice, quiet 28466. What a change from 20 earlier in the day; here we can spread out and not QRM each other.

It's 2328Z now; the 10m opening lasted about an hour and a half, so I've been back on 15 for quite a while. 15 is still open, but I have some kind of local noise source that is making it hard to hear. It's not as bad as when it started about an hour ago but it's annoying, so I'm going to 20. I've tried the NR and NB in the K3 and they help a bit, but not enough. Using the beverages doesn't seem to help either (though in the past I've seen that they can be effective on 20, of course with the K9AY preamp off). I now have 948 Qs on 15; it's 7:30 p.m. local time, so I'm really surprised that 15 is still open. Overall I've been on for 18 hours and 27 minutes, just more than half way into the contest, at 2685/750 for 7.7M points.

After an hour and a half or so on 20 running US, the band is closing down, so I go down to 40 below the US band to try to increase my EU count. I have a nice EU run of about 100 Qs on 7099, but there is a lot of QRM and it's difficult, so I'm going up in the phone band to run NA after a 15-minute food break, as the rate seems to have slowed [later: probably a strategic mistake, since the log shows a steady progression of EUs on 7099, and I should have stayed there longer to keep getting the mults.]

OK, I'm packing it in for the night at 0534Z (1:34 a.m. local time). I have 11 1/2 hours of on time left. It really would be better to stay up late and battle it out on 80 and 40, since the morning hours on 20 probably won't be very productive, but I'm falling asleep. Here's where having either more energy or a relief operator in a multi would be very nice.

However, I found it easier going on 80 tonight than on Friday. I've enjoyed a good run of about 313 Qs and 52 mults. Overall my totals are now a respectable 3430/856 for just over 12M points. I've consistently been a little ahead of T17W in contacts. We touched base on 40 earlier and had about the same number of mults (he asked). Tom at 8P5A, however, is about 500 Qs ahead of me.

At one point I had a strange experience on 80. I had found a (relatively) clear frequency at 3663 and started to CQ with slow results. Then a pig farmer came on and started cursing at me, apparently for interfering with a QSO in progress, though it wasn't on that frequency and I couldn't hear any sign of it. He started saying things like "It's all about bandwidth, a---hole" and called me a "d--khead" among other epithets, the kind that used to get you in trouble with the FCC. He said they were going to "get me." Given that this was radio, I had no idea what he meant; I assumed he meant intentional jamming, as the SSTV guys on 20 have occasionally done in the past. It was entertaining, but he was blocking the frequency, so I prepared to move. Of course, if he had asked politely, I would have immediately QSYed, as I have often done in these contests. I normally find it a useless aggravation to engage with these louts, but I couldn't resist asking him to please identify himself. Instead, he went silent, and just then I must have been spotted, as there started a massive pileup of both US and EU stations that took at least a half hour to work down. Actually the percentage of EU worked overall on 80 was better than on 40 this year.

I go to bed a little before 2 a.m. local, and sleep soundly until awakened by my alarms (two on my wristwatch and one on the iPhone) at 6:30. Breakfast is a cup of coffee and a Danish that I had bought at Lings. I've decided to operate on 40 for a while, then take another hour off before powering through the rest of the contest. I'm trying to minimize the doldrums on 20 in the morning. So I spend an hour on 7206, starting at 1101Z, netting 94 contacts, which is pretty respectable for that time of day (all in daylight, which starts at about 1030Z). Strangely, my last contact on 40 is a search and pounce VK4KW, at 1158Z, in full daylight with a good signal and the beam pointing north. Go figure.

By the way, throughout the contest I've been using the left radio, which is the shack K3 and the Alpha 91B, on 20, 80, and 10, and the right radio, my K3 with the Alpha 86, on 15 and 40. I notice a bad noise source on 15 now. Of course the band isn't open, but it looks on the P3 like the same noise I had yesterday for a while.

I take a short nap, then get up to start again on 20 at about 1330Z, with about 10 1/2 hours left in the contest. 15 is completely dead, 20 is sort of open to EU without seeming to be quite the bedlam it was yesterday at this time. There's nothing below 14150, which is pretty strange. I hear some of the noise on 20, but worse on 15, and it seems to be stronger from the NW than the NE. It's obviously a local, man-made source. I'm expecting some slow hours on 20. Yesterday that drove me crazy in part because it was near the start of the contest, and there was substantial uncertainty about whether this would be any fun at all. Today, with 3500 Qs under my belt, I'm hoping to be able to take it more in stride.

So, I have a fairly nice, mostly US run on 14320 until 1425Z – when the power abruptly goes off. Ouch! I go outside and my neighbor (named "Elvis") across the street says his power is off, and Cris on the phone says it's off at her house also, so there is nothing to do but wait until Elmar somehow fixes things. If I weren't contesting it would be a great day for outdoor activities: sunny, nice temp, not very humid, light breeze – a perfect Caribbean day.

Interestingly yesterday I saw propagation open on 15 the same way I have noted in past write-ups when 10 opens: first to North Africa and the Mediterranean, e.g., CN, EA8, IT9, SV, then it's a while before the opening spreads to more of Europe. This morning before the power went out, I heard EF8R again, and W5CT in Texas, who opened the band yesterday. It may open earlier today, as it seems to be starting to open earlier. But if the power stays off, it "won't make no never mind to me," as a co-worker colorfully used to say.

At 1554Z, 11:54 a.m. local, the power just came back on, so time to turn on the radios, amps, etc. Fortunately, the computer doesn't have to be rebooted, since it's been running on batteries without line power. In the meantime, I've been reading a book about the Korean War. It's actually very instructive in terms of the gross miscalculations made in U.S. foreign policy that contributed to our getting into a war with China then – makes you think about today's foreign policy towards Asia as well. But I'm happy to get back on the air, even though I now can't do the full 36 hours.

It's now 1741Z, and I've had a nice run on 20 after working a few guys on 15 when the power came back on, mostly US, but a number of EUs starting at about 1700Z. Now up to 915 prefixes and over 14M points. It's great when you can work EU and just roll up the new multipliers. 15 looks like it's doing pretty well, so I'm going back there to see what I can scare up. I have a very nice US run on 21335 until 2025Z, also a few EUs, just oddball stations with loud signals, but not very many for some reason. There are only 3 1/2 hours left in the contest. I gotta get up and walk around a little bit, as I'm getting pretty tired and hungry.

I head up to 10 for 110 more contacts, all North-South, then run out the contest with some good rate on 14205 (199 and 165 in the last two hours), almost all US, but one more JA near the end, and a few very western EU.

After the contest, I dismantled the radio room, which was pretty easy this time. Also tested the adaptor for the mic that John had felt wasn't working. It was unmarked, and indeed seemed to barely work for the K3. By contrast, my adaptor that I had brought as a backup was a Heil adaptor with a red band marking (Kenwood), and it worked fine. So there is clearly something wrong with the resident adaptor.

The multi boys from ARRL phone two weeks ago had left a lot of Balashi beers, made in Aruba, in the fridge, so I actually had two of them, plus a ritual glass of Frangelico before bedtime. Checking 3830, I see that my score (which I did post) was a little ahead of TI7W and KH7XS. Of course, 8P5A hadn't posted yet, and if experience is any guide, he will beat us all, since EF8R was M/S, not SO. TI7W had slightly more Qs than I did. During the contest, I was always ahead of him (we talked several times), but my two-hour power failure set me back, though the 3-point SA advantage meant he was several million points behind. KH7XS also had about the same number of Qs, but low mults due to lack of EU. The fortunes of war.

3830 Report.

Call: P49Y
Operator(s):AE6Y
Station: P49Y
Class: SOAB HP
QTH: Aruba
Operating Time (hrs): 34
Location: South America
Radios: SO2R

160: 0
80: 313
40: 1128
20: 1606
15: 1351
10: 379
Total: 4777, Prefixes: 996, Score: 18,296,520
Club: Northern California Contest Club

This was intended to be a short trip, two days less than my usual 6-day contest journeys to Aruba, as we have grandkids descending on us on Tuesday after the contest. But it became even shorter thanks to a 7-hour delay in Miami caused by AA maintenance woes. So no time for the usual socializing, dinners with friends, etc.

Fortunately we had been active for both ARRL DX contests, so the station was left in great shape, and other than plugging in my backpack-carried K3/P3 to complement the resident shack K3/P3, and setting up the computer and interfaces, there wasn't much to do (though a little more sleep would have been nice...).

I last did this contest two years ago in 2016. As compared to that effort, this year Qs are down by 5%, mults by 20%, and score by 16%. More Qs on 40 and 80 this year helped prevent a further score reduction. In fact, it would have been better but for an almost two-hour power failure Sunday morning that left me operating for 34 hours instead of 36.

As for mults, the main difference was a drop in EUs from 31% to 14%, and in JA QSOs from 50 to only 3. Ouch!

This contest seemed like a lot of hard work, but it's still a great way to spend a weekend!

Thanks as usual to co-owner John, W6LD, P40L, and to frequent visitor Ed, W0YK, P49X, for their maintenance efforts, and to JP (P43A) and Cris(P43C) for all of their work on the house, which includes new living room furniture and drapes.

73, Andy, AE6Y, P49Y
Rig: K3x2, Alpha 91B, 86
Ant: 2 el 10, 5 el 15, 4 el 20, 2 el 40, 1 el 80, beverages, C31
Software: CQPWIN ver 12.9

Full write-up, including rate sheet and story will be posted at www.arubaqth.com

Monday, March 26, 2018. I woke up at about 7 feeling pretty logy, but some coffee helped clear the cobwebs. Checked 3830, then went out for a delightful run along the new path on the inland side of the main road from the Santa Cruz road up to the roundabout just south of the airport. It's particularly nice on the part where it goes inland away from the road, but even along the road the traffic wasn't heavy, and the wind kept exhaust gases away. I saw only one bicyclist and one other runner, with whom I chatted after the run. He is a local and, like me, was very pleased that the government had built these running paths. At my old man's pace it was a 53-minute run in lovely weather (though I missed having a sweat band, which had disappeared on my previous trip and which I had neglected to replace).

I filled up with gas at the station in Santa Cruz (only \$10), and was going to get breakfast at the McDonald's next to the station, but since people laugh at me when I say I don't cook in Aruba (never once having used the stove in 15 years), I decided to go back to the house and have cream cheese and jelly toast using the rolls I had left from Ling's, along with a banana and some orange juice. Definitely more healthful than a McD breakfast, and at least I could say I used the toaster to cook! Then to the airport for my 3:07 p.m. scheduled flight back. Ironically, this is the same flight 1028 that had been delayed 7 hours on Thursday. Presumably it is supposed to arrive in Aruba each day at 2 p.m., then leave again an hour later. I shudder to think of the delays that the returnees must have had on Thursday when it arrived 7 hours late! It's an absolutely gorgeous day, and a shame to leave the island. With no more delays, I stagger into my house in California at about 1 a.m. on Tuesday. Long day!



Two K3/P3s, Alpha 91B, Alpha 86, Ant tuner for 40m SSB, K9AY beverage controllers, Sony recorder (with red cable) to record audio, 3 rotor controllers for the three towers, monitor running CQPWIN 12.9.



Andy AE6Y ~ before the contest.....



and after !!!!!

NCCC NEWS

Special Event Call W7F

From May 1 through May 15, I will be using W7F as a special event celebrating the 80th anniversary of FOC.

We will also use W7F in the 7QP.

I will have to apply for a LoTW certificate for those dates. Paper QSL's will be handled by K5RC at my CBA. SASE will be necessary.

Tom Taormina, K5RC

www.w7rn.com

775-847-7929

The Comstock Memorial Station, W7RN

This just came from WA7BNM...

Hi Gary,

I was surprised and deeply honored to be recognized as an Honorary KBer by the Northern California Contest Club. It means a great deal to me that one of the preeminent contest clubs in the world recognized my activities in support of ham radio contesting. I also greatly appreciate the donation toward the expense of maintaining my contesting web sites. Please forward my appreciation to the NCCC's officers and members.

Very 73,

Bruce Horn, WA7BNM

This was the letter that was sent to Bruce:

Dear Bruce,

On behalf of the Northern California Contest Club, it is my pleasure to present you with the enclosed certificate, Honorary KBer, which was officially announced at the club's annual awards meeting on April 7. This is in recognition of your long-term support of the contesting community through web-based applications, particularly 3830 Contest Score Rumors and the Contest Calendar. The utility and quality of your work is appreciated worldwide.

The fact that you do this at no charge to the users is in the very best tradition of Ham Spirit. But surely these services cost you something, so please accept the enclosed donation of \$200, a small token of our gratitude.

Again, thank you for a job well done.

Gary Johnson, NA6O

NCCC Awards Manager

TUBE OF THE MONTH

Visit the museum at N6JV.com

Norm N6JV

Visit the Museum: www.n6jv.com

Sendetriode RD12Tf

The RADAR war between the Allies and the Germans in WWII produced some odd tubes. One of the most unique was the 75 watt RD12Tf made by the German firm Lorenz. As frequencies were pushed above 500 MHz, lead length became a limiting factor. The German FuG200 RADAR incorporated the RD12Tf in a push pull oscillator operating at 600 MHz. To cut down the lead length, a special socket or fassung was made to mount the tubes base to base. The guts of the tube are all mounted close to the bottom. Six of the pins are for the anode and three are for the grid. Like many German military tubes, it was equipped with a handle for easy and safe removal. This example was made in 1944 and is marked "Wehrmachteigentum".

The unique size and shape of the RD12Tf earned it the name "Marmalade Jar" in Europe, but the Yanks just called it the "Jelly Jar". A pair of RD12Tfs would produce 35 KW of pulsed output in the RADAR.

TUBE OF THE MONTH

Visit the museum at N6JV.com

Norm N6JV



NCCC Life Membership!

The NCCC Life member program was introduced for a flat fee of \$250. If you are interested in becoming an NCCC Life member, please contact Ian W6TCP at w6tcpian@gmail.com

80/20 Rule:

Members who have reached 80 years young and been a NCCC Member for 20 years are eligible for Honorary life membership. Contact Ian W6TCP at w6tcpian@gmail.com

CQP T-Shirts

We have a small number of T-Shirts left for anyone that wants one. They are \$15 each, available on a first come first served basis.

Available sizes:

2XL

XL

M

Contact Ian W6TCP at w6tcpian@gmail.com for details

BoD meeting minutes

The monthly minutes from the NCCC BoD meetings are available in the members only section of the NCCC website. See <http://nccc.cc/members/minutes.html>

JUG Articles Wanted!

Without your help we cannot reproduce a quality newsletter so please consider submitting a suitable article!

We welcome any and all relevant articles for inclusion in the JUG.

Deadline is 7 days before month end. Preferred format is MS Word, Arial 12 point and pictures should be full resolution. Send your material to Ian, W6TCP at w6tcpian@gmail.com Don't worry about the formatting, we can take care of that if necessary !



Contest Calendar— May page 1

AGCW QRP/QRP Party	1300Z-1900Z, May 1
Phone Fray	0230Z-0300Z, May 2
CWops Mini-CWT Test	1300Z-1400Z, May 2 and 1900Z-2000Z, May 2 and 0300Z-0400Z, May 3
NRAU 10m Activity Contest	1700Z-1800Z, May 3 (CW) and 1800Z-1900Z, May 3 (SSB) and 1900Z-2000Z, May 3 (FM) and 2000Z-2100Z, May 3 (Dig)
SKCC Sprint Europe	1900Z-2100Z, May 3
MIE 33 Contest	2300Z, May 3 to 0300Z, May 4
NCCC RTTY Sprint	0145Z-0215Z, May 4
NCCC Sprint	0230Z-0300Z, May 4
Araucaria World Wide VHF Contest	0000Z, May 5 to 1600Z, May 6
10-10 Int. Spring Contest, CW	0001Z, May 5 to 2359Z, May 6
SBMS 2.3 GHz and Up Contest and Club Challenge	0600 local, May 5 to 2359 local, May 6
Microwave Spring Sprint	0800-1400 local, May 5
ARI International DX Contest	1200Z, May 5 to 1159Z, May 6
7th Call Area QSO Party	1300Z, May 5 to 0700Z, May 6
Indiana QSO Party	1500Z, May 5 to 0300Z, May 6
FISTS Spring Slow Speed Sprint	1700Z-2100Z, May 5
Delaware QSO Party	1700Z, May 5 to 2359Z, May 6
New England QSO Party	2000Z, May 5 to 0500Z, May 6 and 1300Z-2400Z, May 6
RSGB 80m Club Championship, SSB	1900Z-2030Z, May 7



Contest Calendar— May page 2

ARS Spartan Sprint	0100Z-0300Z, May 8
Phone Fray	0230Z-0300Z, May 9
CWops Mini-CWT Test	1300Z-1400Z, May 9 and 1900Z-2000Z, May 9 and 0300Z-0400Z, May 10
NCCC RTTY Sprint	0145Z-0215Z, May 11
NCCC Sprint	0230Z-0300Z, May 11
SKCC Weekend Sprintathon	1200Z, May 12 to 2400Z, May 13
VOLTA WW RTTY Contest	1200Z, May 12 to 1200Z, May 13
CQ-M International DX Contest	1200Z, May 12 to 1159Z, May 13
Arkansas QSO Party	1400Z, May 12 to 0200Z, May 13
FISTS Spring Unlimited Sprint	1700Z-2100Z, May 12
50 MHz Spring Sprint	2300Z, May 12 to 0300Z, May 13
WAB 7 MHz Phone	1000Z-1400Z, May 13
4 States QRP Group Second Sunday Sprint	0000Z-0200Z, May 14
Phone Fray	0230Z-0300Z, May 16
CWops Mini-CWT Test	1300Z-1400Z, May 16 and 1900Z-2000Z, May 16 and 0300Z-0400Z, May 17
RSGB 80m Club Championship, Data	1900Z-2030Z, May 16
NAQCC CW Sprint	0030Z-0230Z, May 17
NCCC RTTY Sprint	0145Z-0215Z, May 18
NCCC Sprint	0230Z-0300Z, May 18
Portuguese Navy Day Contest	0900Z, May 18 to 1700Z, May 20
Slobozhansky Sprint Contest	1800Z-1959Z, May 18 (SSB) and 2000Z-2159Z, May 18 (CW)
UN DX Contest	0600Z-2100Z, May 19
NZART Sangster Shield Contest	0800Z-1100Z, May 19 and 0800Z-1100Z, May 20
Aegean RTTY Contest	1200Z, May 19 to 1200Z, May 20
EU PSK DX Contest	1200Z, May 19 to 1200Z, May 20
His Maj. King of Spain Contest, CW	1200Z, May 19 to 1200Z, May 20



Contest Calendar— May page 3

Feld Hell Sprint	1600Z-1759Z, May 19 and 2000Z-2159Z, May 19
Baltic Contest	2100Z, May 19 to 0200Z, May 20
Run for the Bacon QRP Contest	0100Z-0300Z, May 21
SKCC Sprint	0000Z-0200Z, May 23
Phone Fray	0230Z-0300Z, May 23
CWops Mini-CWT Test	1300Z-1400Z, May 23 and 1900Z-2000Z, May 23 and 0300Z-0400Z, May 24
RSGB 80m Club Championship, CW	1900Z-2030Z, May 24
NCCC RTTY Sprint	0145Z-0215Z, May 25
NCCC Sprint	0230Z-0300Z, May 25
CQ WW WPX Contest, CW	0000Z, May 26 to 2359Z, May 27
QRP ARCI Hootowl Sprint	0000Z-0100Z, May 28
Phone Fray	0230Z-0300Z, May 30
CWops Mini-CWT Test	1300Z-1400Z, May 30 and 1900Z-2000Z, May 30 and 0300Z-0400Z, May 31



NCCC Membership Information

If you wish to join NCCC, you must fill out an [application for membership](#), which will be read and voted upon at the next monthly meeting.

To join, you must reside within [club territory](#) which is defined as the maximum of:

- Northern California, anything north of the Tehachapi's up to the Oregon border, and
- A part of north-western Nevada (anything within our ARRL 175-mile radius circle centered at 10 miles North of Auburn on Highway 49).

JUG Articles Wanted!

Without your help we cannot reproduce a quality newsletter so please consider submitting a suitable article!

We welcome any and all relevant articles for inclusion in the JUG.

Deadline is 7 days before month end. Preferred format is MS Word, Arial 12 point and pictures should be full resolution. Send your material to Ian, W6TCP at w6tcpian@gmail.com Don't worry about the formatting, we can take care of that if necessary !

Northern California Contest Club Reflector—Guidelines

This reflector is devoted to the discussion of contesting.

This includes contests, station building, dxpeditions, technical questions, contesting questions, amateur radio equipment wants/sales, score posting, amateur radio meetings/conventions, and membership achievements.

This does not include personal attacks, politics, or off-subject posts which will be considered a violation of the Guidelines.

Violations may result in removal of the violator from the reflector and possibly from club membership in good standing.



Find us on Social Media

NCCCKB



HAM RADIO OUTLET

14 STORE BUYING POWER!

ICOM



IC-7600 | All Mode Transceiver

- 100W HF/6m Transceiver, gen cov. receiver • Dual DSP 32 bit • Three roofing filters- 3, 6, 15kHz • 5.8 in WQVGA TFT display • Hi-res real time spectrum scope



IC-7200 | HF Transceiver

- 160-10M • 100W • Simple & tough with IF DSP • AGC Loop Management • Digital IF Filter • Digital Twin PBT • Digital Noise Reduction • Digital Noise Blanker • USB Port for PC Control



IC-7100 | All Mode Transceiver

- HF/50/144/430/440 MHz Multi-band, Multi-mode, IF DSP • D-STAR DV Mode (Digital Voice + Data) • Intuitive Touch Screen Interface • Built-in RTTY Functions



ID-5100A | VHF/UHF Dual Band Digital Transceiver

- Analog FM/D-Star DV Mode • SD Card Slot for Voice & Data Storage • 50W Output on VHF/UHF Bands • Integrated GPS Receiver • AM Airband Dualwatch • FM Analog/DV Repeater List Function

ID-51A | VHF/UHF Dual Band Transceiver

- 5/2.5/1.0/0.5/0.1W Output • RX: 0.52-1.71, 88-174, 380-479 MHz** • AM/FM/FM-N/WFM/DV • 1304 Alphanumeric Memory Chis • Integrated GPS • D-STAR Repeater Directory • IPX7 Submersible



KENWOOD



TS-590SG | HF/50MHz Transceiver

- Equipped with 500 Hz/2.7 kHz roofing filter as standard • ALC derived from TS-990S eliminating spike issues • Antenna output function (shared with DRV connector) • CW - morse code decoder function



TM-D710G | 2M/440 Dualband

- V+V/V+U/U+U operation • Built-in GPS • Built-in TNC for APRS & DX-Cluster operation • 50W 2M & UHF • 1,000 memories • Dual receive • Green or amber backlight colors • Latest APRS firmware w/new features • Sky Command II remote functions



TM-V71A | 2M/440 Dualband

- High RF output (50W) • Multiple Scan • Dual receive on same band (VxV, UxU) • Echolink® memory (auto dialer) • Echolink® Sysop mode for node terminal ops • Invertible front panel • Choice of green/amber for LCD panel • 104 code digital code squelch



TM-281A | 2 Mtr Mobile

- 65 Watt • 200 Memories • CTCSS/DCS • Mil-Std specs • Hi-quality audio



TH-F6A | 2M/220/440

- Dual channel receive • .1 - 1300 MHz (cell blocked) RX • FM, AM, SSB • 5W 2M/220/440 TX, FM • 435 Memories • Li-Ion Battery

YAESU
The radio



FT-991 | HF/50MHz/2M/440 Transceiver

- 160 M-440MHz - SSB/CW/FM/C4FM Digital/AM/RTTY/PSK • 100 W (2M/440: 50 Watts) • 3.5" TFT full-color touch panel operation • High speed spectrum scope • Roofing filters: 3kHz & 15kHz • 32-bit high speed floating point IF DSP



FTDX1200 | 100W HF + 6M Transceiver

- Triple Conversion Receiver With 32-bit Floating Point DSP • 40 MHz 1st IF with selectable 3 kHz, 6kHz & 15 kHz Roofing Filters • Optional FFT-1 Supports AF-FFT Scope, RTTY/PSK31 Encode/Decode, CW Decode/Auto Zero-In • Full Color 4.3" TFT Display



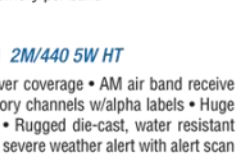
FT-450D | A100W HF + 6M Transceiver

- 100W HF/6M • Auto tuner built-in • DSP built-in • 500 memories • DNR, IF Notch, IF Shift



FTM-400DR | 2M/440 Mobile

- Color display-green, blue, orange, purple, gray • GPS/APRS • Packet 1200/9600 bd ready • Spectrum scope • Bluetooth • MicroSD slot • 500 memory per band



FT-60R | 2M/440 5W HT

- Wide receiver coverage • AM air band receive • 1000 memory channels w/alpha labels • Huge LCD display • Rugged die-cast, water resistant case • NOAA severe weather alert with alert scan

5 Ways to Shop!

- RETAIL LOCATIONS – Store hours 10:00AM - 5:30PM - Closed Sunday
- PHONE – Toll-free phone hours 9:30AM - 5:30PM
- ONLINE – WWW.HAMRADIO.COM
- FAX – All store locations
- MAIL – All store locations

ANAHEIM, CA
(800) 854-6046

OAKLAND, CA
(877) 892-1745

OAKLAND, CA
(877) 892-1745

PORTLAND, OR
(800) 765-4267

PHOENIX, AZ
(800) 559-7388

WOODBRIIDGE, VA
(800) 444-4799

PLANO, TX
(877) 455-8750

BURBANK, CA
(877) 892-1748

SAN DIEGO, CA
(877) 520-9623

NEW CASTLE, DE
(800) 644-4476

DENVER, CO
(800) 444-9476

ATLANTA, GA
(800) 444-7927

SALEM, NH
(800) 444-0047

ONLINE STORE
WWW.HAMRADIO.COM

New Store!