



## Inside this Issue:

	Page
Presidents Report	1
NCCC Meetings	4
Operating Awards 2016/2017	4
NAQP CW	5
Ready for RTTY RU N6WM	6
WA6QGW/PX	7
NS Ladder XXVI	8
CQP Results	9
CQP Plaque Sponsors	10
WRTC 2018	11
Point Generator Profile– KA6BIM	13
Tube Of the Month	17
Bits & Bobs	19
Contest Calendar	20
HRO	23

### Next NCCC Meeting Tuesday February 21st

6:00 PM, Social Hour, 6:30 PM Dinner

Sneha Restaurant, 1214 Apollo Way, Suite  
404 B, Sunnyvale, CA 94085

### NCCC Annual Awards

Saturday March 18th

See Page 4

### VOTE now ! 2016 Operating Awards

See Page 4

### 2016 CQP Results

See Page 9

## President's Report

Hello KB'ers,

I want to start this out by thanking our members for the record turnout in NAQP CW. I believe our master-flogger, Fred K6DGW, said we had at least 65 members participate in the contest. On a weekend of fairly poor conditions, at least for us on the West Coast, we did have several scores in excess of 100K:

- 266,396 - W6YX (N7MH) – Team #1
- 205,545 – N6TV – Team #1
- 196,749 – NA6O @N6RO – Team #1
- 176,256 – K6MR – Team #1
- 173,446 – K6SRZ – Team #2
- 157,510 – K9YC – Team #2
- 141,895 – W1RH – Team #2
- 138,920 – N6ZFO – Team #2
- 125,905 – N6DE @W6YX – Team #3
- 113,730 – W1SRD – Team #3
- 110,057 – ND2T – Team #3
- 100,440 – N6EE – Team #6

I always like to point out the efforts of the small stations in the club. I visited Bert's place (K6CSL) a couple of years ago while on the way to Visalia. Bert lives in a mobile home park. When I arrived, I asked Bert where the antennas were. Turns out that they're all over...in the bushes, in the ceiling, etc. I never did see one antenna. That doesn't slow Bert down, however. He did a true KB 10 hour NAQP CW effort, making 3,285 points for the Club and NCCC Team #6.

Continued on page 3



## Officers:

President	Bob Hess	W1RH	w1rh@yahoo.com
Vice President /Contest Chair	Steve Dyer	W1SRD	w1srd@arrl.net
Treasurer	Dick Wilson	K6LRN	treasurer.nccc@gmail.com
Secretary	Ian Parker	W6TCP	secretary.nccc@gmail.com
Past President	Rick Karlquist	N6RK	richard@karlquist.com
Director	Rusty Epps	W6OAT	w6oat@sbcglobal.net
Director:	Rich Cutler	WC6H	wc6h@yahoo.com
Director:	Ron Castro	N6IE	ronc@sonic.net

## Volunteers:

New Member Mentor	Al Rendon	WT6K	wt6k@arrl.net
Charter Member	Rusty Epps	W6OAT	w6oat@sbcglobal.net
Awards Chair	Gary Johnson	NA6O	gwj@wb9jps.com
CQP Chair	Kevin Rowett	K6TD	k6td@arrl.net
CQP Certificates	John Miller	K6MM	k6mm@arrl.net
K6ZM QSL Manager	George Daughters	K6GT	k6gt@arrl.net
K6CQP,N6CQP,W6CQP QSL Mgr	Ed Muns	W0YK	w0yk@arrl.net
NCCC Email reflector Admin	Phil Verinsky	W6PK	kb-w6tqg@verinsky.com
Webmaster	John Miller	K6MM	k6mm@arrl.net
Webinars	Ian Parker	W6TCP	w6tcpian@gmail.com
JUG Editor	Ian Parker	W6TCP	w6tcpian@gmail.com



### NCCC Net

Thursday 8 PM  
 Freq: 3.610 +/-

### NCCC

Visit the meetings page of the NCCC website [here](#) for details of the next meeting

## NCCC Membership Information

If you wish to join NCCC, you must fill out an [application for membership](#), which will be read and voted upon at the next monthly meeting.

To join, you must reside within [club territory](#) which is defined as the maximum of:

- Northern California, anything north of the Tehachapi's up to the Oregon border, and
- A part of north-western Nevada (anything within our ARRL 175-mile radius circle centered at 10 miles North of Auburn on Highway 49).

I've also got to point out the great job that Fred, K6DGW, our flogger and team organizer, has done. Always the cheerleader for NCCC, Fred did an awesome job organizing the teams. Just look at the scores, above, and how they track Fred's teams. Awesome, Fred! I'll also mention that Fred did manage to find the time to get 33,936 points for the Club.

If we're going to do a good showing in the NAQP 3-Club Challenge, a competition between NCCC, SMC, and PVRC, we need those participation mults. The Club's score is based on the total points multiplied by the total number of participants. Our Take ONE for the Team promotion seemed to have gotten the message out. Thanks to everyone who found the time to make a few participation points as mults for the Club's score.

Besides the NAQP's, the CQ WPX contests are rapidly approaching, beginning with RTTY on the weekend of February 11-12. Make a note of the date. We're going for another win!

One of my bucket-list items during my term as NCCC Prez, has been to establish the Northern California Contest Club as a 501c3 non-profit organization. This was an idea suggested by Stu, K6TU, during his term as President a few years ago. I enlisted the expertise of a good friend, and amateur radio operator, Norm, WB6RVR. We got the Board's approval and we're on our way. Norm, with Ian's (W6TCP) assistance, has prepared the necessary documents. The first documents have already been filed with the State.

What does this mean for you and the club? Tax deductible donations from our members, supporting plaques and awards, contest universities, and, as Stu had suggested, even hosting and organizing a future WRTC. Donations could even go to the NCCC repeater.

I'm very confident that we will have our non-profit status established by April or May.

Some of you may know that I got my arm twisted to be the WRTC-2018 California ambassador. I would be remiss if I didn't remind our members to donate to the efforts of our German friends who are working hard to organize a very successful WRTC event in 2018. Contributions are tax deductible via PayPal to [WRTC2018@wwrof.org](mailto:WRTC2018@wwrof.org). There's a long list of individual donors on the WRTC-2018 website ([www.wrtc2018.de](http://www.wrtc2018.de)), including many NCCC members. I'll try to list our member donors in the next issue of the Jug. I'll also be suggesting to the Board that NCCC sponsor another tent donation in 2017.

I'm looking forward to a series of great meeting presentations in 2017, beginning with a focus on contest software. Watch the website for more information.

73 Bob W1RH

## NCCC Meetings February ~ April

Here are the dates and venues for Feb, March, and April. Bob W1RH is looking for presenters for the Feb & April meeting dates, of course, March is the Annual Awards meeting so we hope you can all join us there if you are not able to make any of the other meetings.

### February 21st - Tuesday

6:00 PM, Social Hour, 6:30 PM Dinner

Sneha Restaurant, 1214 Apollo Way, Suite 404 B, Sunnyvale, CA 94085

Program: TBD

### March 18th - Saturday,

11:30 AM Social Hour, 12:00 PM Lunch 12:30 PM Awards

Tied House Brewery, Mountain View, CA 94041

Program: **Annual NCCC Awards**

### April 29th - Saturday,

11:30 AM Social Hour, 12:00 PM Lunch 12:30 PM Program

40 Golf Club Rd, Pleasant Hill, CA 94523

Program: TBD

---

## Operating Awards 2016-2017

The Awards Committee needs your help to determine the recipients of these annual Operating Awards for 2016-2017:

- Rookie-Of-The-Year
- Most Improved Contester
- Elmer-Of-The-Year
- Team Builder Award
- Inspiration Award
- Operating Excellence - CW
- Operating Excellence - SSB
- Operating Excellence - Digital
- Most Valuable Player
- Contester of the Year

A simple **anonymous** survey has been created for your input: <http://www.nccc.cc/awardsurvey-2016.html>

The recipients of these awards will be announced at the annual Awards Meeting on Saturday, March 18, 2017 at the Tied House in Mountain View.

**This survey ends on Friday, February 17, 2017, so please submit your nominations now.**

Any questions, please contact John, K6MM

# NAQP CW Final Scores

Fred K6DGW

TEAM	SCORE
1	1,031,930
2	794,819
3	460,140
4	286,699
5	160,184
6	144,546
7	155,359
8	17,762
9	81,030
10	40,228
11	27,130
NO TEAM	231,308
TOTAL	3,199,827
PMULT	71
TCC SCORE:	277,187,717

Mike, N7MH [W6YX] set the pace at  $1222 \times 218 = 266,396$ . In addition to Mike, N6TV, NA6O [N6RO], and N3ZZ all broke 1,000 Q's. There were an even dozen scores in 6 digits. Not too shabby with very few sunspots. 10 was ground wave only apparently, and 15 wasn't terribly productive.

We did really well on the team assignments as the team totals pretty much conform to the desired profile down to Teams 6 and 7. And, an internal statistic I keep when flogging NAQP's is how long it takes to get 85% of the logs submitted. This one was a record, we hit 91% when I checked logs received on Monday evening. This really makes the Log Flogger job much easier ... Thanks!

73,

Fred ["Skip"] K6DGW  
Sparks NV  
NAQP Log Flogger Dude

# Ready for RU !



Chris N6WM— Ready for RTTY RU with Ken N6RO

Photo Gary NA6O

# ANDORRA

*Port D'Ennacira*

# WA6QGW/PX

CONFIRMING QSO WITH

DAY	MONTH	YEAR	GMT	FREQ-MHZ	2 WAY	RST	QSL
1 2 3	MAY	1969		3.5 7 14	CW SSB		PSE
4 5				21 28			TKS

OPERATED BY  
OLIVER C. SWENINGSEN, III  
WA6QGW

QSL VIA K6VVA  
12866 LA CRESTA DR.  
LOS ALTOS HILLS  
CALIFORNIA 94022 USA

Did you work ZD8W in the recent CQ WW CW DX Contest? That was a multi-two entry operated by Oliver, W6NV, and Al, K0AV. Both of these guys were among the earliest members of NCCC when they were WA6QGW and WA6PMK, respectively, way back in the 1960s and 70s. In 1968, Al went off to Germany where he was licensed as DL4QQ. The next year, Al and Oli met up in Andorra for what probably was their first real DXpedition together, and operated as WA6QGW/PX and DL4QQ/PX. Back then, PX was Andorra, not Brazil! Anyway, here they are 48 years later doing another DXpedition together to Ascension Island. Some things just never grow old!

Rusty W6OAT

---

## Election of Officers

NCCC holds its annual election in April. The Board of Directors consists of President, Vice President/Contest Chairman, Secretary/Treasurer, Past President, and three Directors.

If you are interested in any of the BOD positions, please contact Bob W1RH.

In addition, a volunteer panel steps forward each year to assist the club in its many activities. We're always looking for more volunteers, so if interested, please contact any member of the current BOD.

## NS Ladder XXVI - Starts January 13

The NCCC Sprint Team is pleased to announce:

The 26th NCCC Sprint Ladder competition, NSL XXVI . . . .  
Contesting on the Edge

Start Date: Jan 13 for Seven Weeks  
Jan 13, 20, 27, Feb 3, 10, 17, 24. (Thursday evening in NA)

Time: 0230-0300Z (Friday, Zulu, Thursday evening in NA)

Bands: 15, 20, 40, 80 and 160

A station's top four scores are counted in the final compilation -- ops can miss 3 weeks and still compete fully in one of the ladder's 5 divisions.

See below for additional details.

### Summary of Rules:

- 0230-0300 UTC exactly (please set time accurately)
- 15, 20, 40, 80 and 160m 38-44 KHz up from band edge, 1813-1818 on 160m.
- 100 watts max.
- Sprint QSY format, NAQP-style mults per band
- 1 KHz minimum QSY, 2-3 KHz encouraged.
- Contact stations once per band.
- Score = #QSO's x sum of band-mults
- Score reports to 3830scores.com (Tks, WA7BNM)
- In final rankings, only the top 4 scores count.

Rules: <http://www.ncccsprint.com/ladder.html>

Schedule: [http://www.ncccsprint.com/next\\_ns.html](http://www.ncccsprint.com/next_ns.html)

Divisions . . see map at <http://www.ncccsprint.com/ladder.html>

Weekly results: "GO" button at [www.ncccsprint.com](http://www.ncccsprint.com)

Operating tips: <http://ncccsprint.com/operating.html>

**nccc-blue reflector:** Join our low-volume reflector to discuss NS and NS Ladder topics.  
Sign up at <http://www.kkn.net/mailman/listinfo/nccc-blue>.

73 Bill N6ZFO

Director,

NCCC Thursday Night Contesting



# California QSO Party

It gives me great pleasure to announce the results from the 2016 California QSO Party, now posted on the CQP website.

<http://www.cqp.org/Results.html>

Once again, all 58 CA counties were on the air for CQP 2016. We received 936 logs before the log submission deadline on October 17, 2016. Over the last 12 weeks, Tom Epperly (NS6T) and other members of our CQP team have worked carefully and efficiently to streamline the log-checking process without sacrificing quality or accuracy of results.

Summary reports include:

44 Plaque & 40 Wine Winners — Congratulations to all !

Complete reports for California, USA, Canada, DX, and Clubs.

Top-10 reports

62 new All-Time Records set during CQP 2016!

Soapbox comments will be posted soon, but overall feedback from CQP 2016 has been very positive.

Thank you for participating. We hope you had fun! If you couldn't make it, not to worry. In just 257 days the 52nd Running of the CQP will take place. Hope to see you on the air October 7th and 8th !

73,

John Miller, K6MM

CQP Chairman

**CQP Team:**

John, K6MM

Bob, N6TV

Tom, NS6T

Rusty, W6OAT

Ian, W6TCP

Dick, K6LRN

Bob, W1RH

Al, AD6E

Dean, N6DE

Jeff, WK6I

# California QSO Party

Thank you to everyone who sponsored a Plaque in CQP 2016!

California		Non-California	
Single Operator	Sponsor	Single Operator	Sponsor
1st Place Single-Op, HP	K6LRG	1st Place Single-Op, HP	Rich, KE1B
2nd Place Single-Op, HP	Elliot Pisor, K6EL	2nd Place Single-Op, HP	Tom Hutton, N3ZZ
1st Place Single-Op, LP	Josh Fiden, W6XU	1st Place Single-Op, LP	MLDXCC
2nd Place Single-Op, LP	Kevin Rowett, K6TD	2nd Place Single-Op, LP	Andy Faber, AE6Y
Top Single-Op QRP	Ed Radlo, AJ6V	Top Single-Op QRP	John Tagliaferri, KE6ZSN
<b>Single Operator- Assisted</b>		<b>Single Operator- Assisted</b>	
1st Place Single-Op, HP <sup>new</sup>	Frank Hervatine, N2NS	1st Place Single-Op, HP <sup>new</sup>	Dick Wilson, K6LRN
2nd Place Single-Op, HP <sup>new</sup>	Ian Parker, W6TCP	2nd Place Single-Op, HP <sup>new</sup>	Greg Glen, NR6Q
1st Place Single-Op, LP <sup>new</sup>	John Miller, K6MM	1st Place Single-Op, LP <sup>new</sup>	Gary Johnson, NA6O
2nd Place Single-Op, LP <sup>new</sup>	Kevin Rowett, K6TD	2nd Place Single-Op, LP <sup>new</sup>	Rich Cutler, W66H
Top Single-Op QRP <sup>new</sup>	Dean Wood, N6DE	Top Single-Op QRP <sup>new</sup>	Dean Wood, N6DE
Top Single-Op YL *	Joanna Dilley, K6YL	Top Single-Op YL *	Joanna Dilley, K6YL
Top Single-Op Youth *	Fred Jensen, K6DGW	Top Single-Op Youth *	Fred Jensen, K6DGW
Top Single-Op New Contester *	Stu Phillips, K6TU & Pizza Lovers 259.		
Most CW QSOs	Bob Wilson, N6TV	Most CW QSOs (Perpetual Award)	John Larson, K6AUC
Most SSB QSOs	Bob Hess, W1RH	Most SSB QSOs	John Miller, K6MM
First To 58	Ken Wideltz, K6LA	First To 58	Ken Wideltz, K6LA
Top School	Dean Wood, N6DE	Top School	Dean Wood, N6DE
Top Club	REDXA	Top Club (W6ZZZ Memorial)	NCCC
Top Multi-Single	Rick Tavan, N6XI	Top Multi-Single	Tom Hutton, N3ZZ
Top Multi-Single Expedition	Jerry Olive State Farm Insurance		
Top Multi-Multi Expedition	Bob Wilson, N6TV		
Top Multi-Multi	Steve, W1SRD + Doris, K0BEE		
1st Place Single-Op Expedition	Al Maenchen, AD6E		
2nd Place Single-Op Expedition	Dave Curtis, N6NZ		
Most Mobile QSOs	Harris Leck, K9RJ		
Top DX (Non-USA, Non-Canadian)	Saraj Cory, KU6F		



# WORLD RADIOSPORT TEAM CHAMPIONSHIP JULY 12-16, 2018



## Our way to 2018

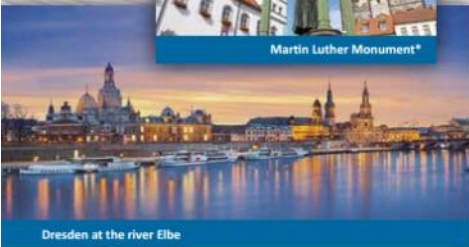
Having been elected to host the WRTC 2018 in Germany is a great honor, a thrill, and a big challenge for us. The critical tasks have been clearly defined. Dedicated and highly motivated teams are addressing the challenges.

For the competition itself we have chosen the Jessen area south of Berlin for its flatness providing level playing fields for all competitors. Jessen is strategically situated between the German capital of Berlin and such fascinating historic cities like Dresden and Leipzig.

Nearby you find important cultural attractions, e.g. the historic city of Wittenberg where Martin Luther launched the Protestant Reformation in 1517. Additionally, the scenic countryside and a lot of entertainment will make the WRTC an exciting experience for families and friends as well.



Martin Luther Monument\*



Dresden at the river Elbe

\* Source: Lutherstadt Wittenberg Marketing GmbH ©

## We need your support!

You need deep pockets to finance such a huge event. Our preliminary cost estimates add up to close to half a million US Dollars and cannot be shouldered by the German contesting fraternity alone. We need substantial financial support of contesters from all over the world, from contest clubs, individuals and business. Any amount is welcome! We will do our level best to translate this support into an event that is worth to take part in - be it as a competitor or spectator, either on the spot or remotely via Internet. You are welcome to donate via PayPal to:

[spende@wrtc2018.de](mailto:spende@wrtc2018.de)

or to use wire transfer (see Web Page for details).

## For US taxpayers

The World Wide Radio Operators Foundation (WWROF) is recognized by the IRS as a tax-exempt public charity. In order to be eligible for Income Tax treatment of your donation to WRTC 2018 just contribute to WRTC2018 in one of the following ways, either via PayPal to:

[WRTC2018@wwrof.org](mailto:WRTC2018@wwrof.org)

or by check - remit and mail to:

WWROF Inc. - WRTC2018 Fund  
P O Box 10424  
Midland, TX 79702



Note: It is important that mailed contributions include notification that the donation is specifically for WRTC2018.

## Contact the WRTC Team

[www.wrtc2018.de](http://www.wrtc2018.de)  
[contact@wrtc2018.de](mailto:contact@wrtc2018.de)

E-Mail: [contact@wrtc2018.de](mailto:contact@wrtc2018.de) | Web: [www.wrtc2018.de](http://www.wrtc2018.de) | Facebook: [wrtc2018](https://www.facebook.com/wrtc2018) | Twitter: [wrtc2018](https://twitter.com/wrtc2018)



WORLD RADIOSPORT  
TEAM CHAMPIONSHIP

## Welcome to Germany!



Proud bronze medalists at WRTC 2014 - Manfred Wolf, DJ5MW and Stefan von Baltz, DL1IAO (Foto: DK9IP)

## Competition with Friends

Lifetime Experience

Make it happen!

Contesters' Olympics



# WORLD RADIOSPORT TEAM CHAMPIONSHIP

JULY 12-16, 2018



## Welcome to Germany

Germany has been awarded to stage the WRTC 2018. The Federal Republic is subdivided into sixteen federal states such as Bavaria or Saxony. Some 80 million inhabitants share a plot of less than 140 thousand square miles, about the size of the US state of Montana. Sometimes the German language is criticized for its harshness; however, a countless number of students around the world start learning German every year as it offers an insight into a fascinating culture and a world ranked economy.

## Radiocommunications in Germany



Heinrich Hertz

Here the fundamentals of wireless communication have been developed as young Heinrich Hertz has proved the existence of electromagnetic waves and Nobel Prize Winner Ferdinand Braun introduced the closed tuned circuit as part of the radio transmitter.

The German Hams were late bloomers after all, as only after WWII a more liberal legislation made a wide ham culture possible. Today Germany is the home base of the world's second largest contest community hosted by two notable clubs: the Bavarian Contest Club (BCC) and the Rhein Ruhr DX Association (RRDXA). That is why you will find such a great number of German call signs in your log as well as multipliers from German radio activities like CR3L or VK9LM.



## WRTC 2018 in Germany

World Radiosport Team Championships (WRTC) are being held every four years. More than 60 of the best 2-OP-teams from all over the world meet for a competition. Quite different from other radiosport contests, competitors in WRTCs operate with identical power and antennas on level playing fields from the same geographical region eliminating all variables except their own operational skill. Previous WRTCs were held at Seattle/USA (1990), San Francisco/USA (1996), Slovenia (2000), Finland (2002), Brazil (2006), Russia (2010), and New England (2014).

To participate in WRTC 2018 teams have to qualify in up to 28 different HF contests during 2015 and 2016. Qualification started with the ARRL-DX-CW contest 2015.

To watch your own qualification standings and those of all of your competitors or friends at any time, have a look at our website [www.wrtc2018.de](http://www.wrtc2018.de). The standings are regularly updated after receiving the results from the contest organizers of each qualification contest.

WRTC 2018 Qualification Standings

Category:  Submit

Qualification Area:  Submit

AP:  Submit

Power Class:  Submit

Power:  Submit

Wants to search a sponsor?

Standings in NA #1 area

Display data calculated on the basis of the both claimed scores and final contest results (when available)

Area rank	Operator	Qualification Points	Qualified contest entries	Quantity mark
1	DL2 KSLZ	7889	8	80 x 8
2	DL2 GRTN	7202	10	80 x 8
3	DL2 K00E	7176	8	80 x 8
4	DL2 UJ	6712	8	80 x 8

## WRTC - Fieldday Style



## Catch the organizers

The members of the WRTC 2018 Organizing Committee are active in many contests using special event call signs like "DLØWRTC" or "DKØWRTC". They are active on all bands from 160m up to 3 cm from various locations in Germany. They hand out the special DOK "WRTC" for DARC awards.

## Enjoy the award program

WRTC 2018 sponsors the "Worked WRTC Qualification Regions" award. You can apply online for the WWQR Award via [dci.darc.de](http://dci.darc.de). It can be worked on an annual basis in 3 classes, in different modes and on different bands. It shows European radio pioneers on a background in black, red and gold representing the colours of the German flag. Your application will support WRTC 2018 with a small donation.



Germany calling!

Competition with Friends

Join the Fun

# Point Generator Profile

By Bob, W1RH

Dennis, WU6X, is another one of our Sierra Foothill members and another one of our Point Generators. Dennis is a CW operator, but I see that he has signed up to support the team in NAQP SSB. Now that's a true KB'er! If you do a search on WU6X on the 3830Scores page, you'll find his call tied to many, many CWops efforts.

Now, more from Dennis:

**Name/Call:** Dennis Gregory WU6X

**Past calls:** WN6UPE, WA6UPE, KF6FM

**Location:** Auburn, CA (foothills NE of Sacramento at 1400 feet ASL)

**Property:** 1/2 acre lot

**Antennas/current:** Antennas here consist of a 5-band, 2 element Quad (Lightningbolt) at 45 feet off the old Rohn-9 tower, and inverted V's on 80 and 40 fed with a single coax via a current balun at 40 feet.

**Future:** No changes to antennas planned unless the quad comes down. Then, maybe a Hex Beam.

**Shack:** A Yaesu FT-1000D (200w barefoot) and Ameritron AL-80B are the primary tools. The Yaesu is great for barefoot CW work, but I like to setup my KX3 in front of it on desk as the Elecraft is just fun to operate and has macro capabilities and roofing filters the Yaesu does not. The station is wired to allow both radios to use the AL-80B with coax switches and moving one RCA jumper to key the amp to 500w. I have two CW-generating machines; a 1946 Vibroplex Lightning bug and new Vibroplex paddle; I use both daily. A Yaesu G-800S rotor control for the quad, a VHF/UHF mobile radio connected to a J-antenna at the top of the mast, or MFJ discone above the roof (6 meters), and two PC computers for station control and/or logging complete the shack equipment list.

**Previous QTHs:** Santa Cruz, CA ... I moved to Auburn in 1979 and have been in the current house for 20+ years.

**Work:** I'm mostly retired now, but consulting to my previous company on occasion. I also have a PC computer repair business with a couple commercial clients that keep me busy.

**Family:** I've been married for 48 years and have 3 grand daughters, the oldest graduates from high school in May.

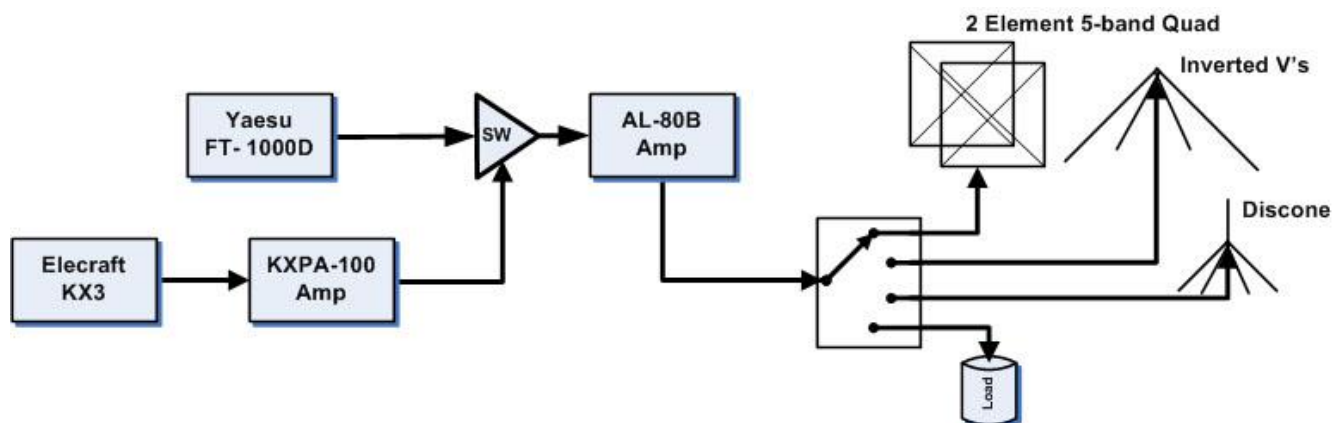
**DXCC:** 188 countries worked; I'm probably more of a "special event" guy than "DX chaser". Of course, I won't pass up a good DXpedition ... if I can hear 'em.

**Favorite contest:** My favorite contest would have to be CAQP as I usually work the event from a portable location in Siskiyou County, followed closely by CW Sweepstakes and NAQP.

**Tips:** Timing, timing, timing ... of course, a good antenna goes without saying. Having said that, I've beat many big antennas with a well-timed call, especially here in the West where you have the east coast hoard to overcome in that direction.

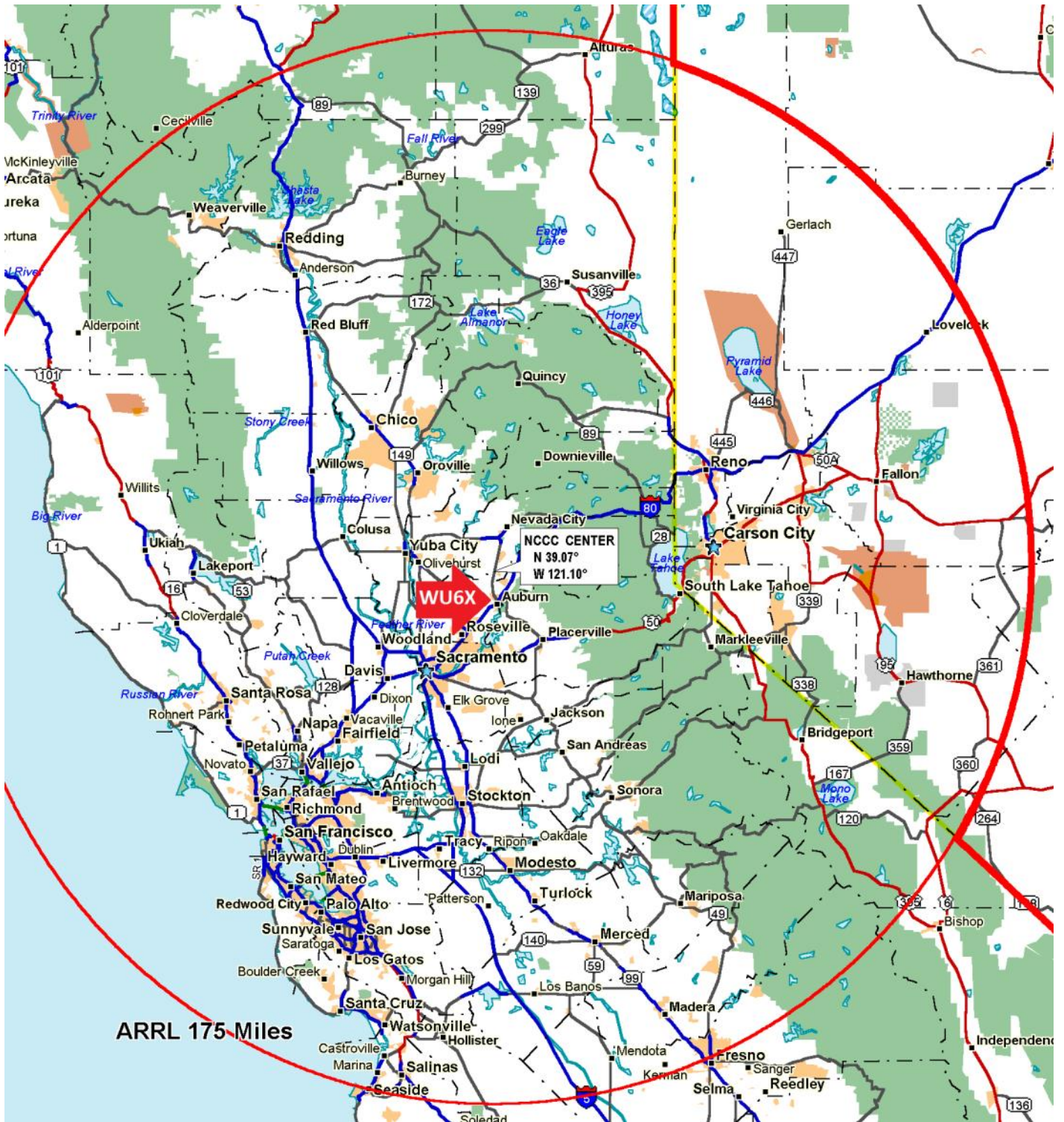
**NCCC changes?:** two meetings/year in the Sacramento area would be nice.

**Other hobbies:** RVing and HF portable operations (typically go together), radio-controlled sailplanes and fly fishing for stream trout and pond bass when I can get away.





**WU6X 2 Element Quad**



WU6X Location



# TUBE OF THE MONTH

Visit the museum at [N6JV.com](http://N6JV.com)

Norm N6JV

## Proximity Fuse Tubes

During WWII in the Battle of Britain, the British had big problems shooting down German planes with their anti-aircraft artillery (AAA). It was taking them 10,000 shots to take down a plane. They were forced to shoot them down plane to plane and they almost lost. Another side effect was the shower of fragments falling on their cities from the exploding shells. They were using mechanical timers in their projectiles so they were just guessing. Electronic proximity devices were tried but largely failed. Building tubes that could take a shock of 20,000 gs was difficult.

When the United States entered the War, they had the same problem. It was taking the Navy about 6000 rounds to hit a Japanese plane. Top-secret development projects for tubes and circuits were a high priority. The best working circuit used a UHF oscillator that would change frequency when in the proximity of an object. The circuit would use a thyratron switch tube to detonate the charge. The tubes had to be very small and rugged.

The proximity fuses were considered too secret for use in Europe, so were given to the Navy in the Pacific. Any dud rounds would be lost in the sea. During the island invasions where large formations of Kamikazes were sent against the Fleet, over 90% of the planes were hit. Without the fuses, the outcome may have been different. The fuses were deployed to Europe late in the War and during the Battle of the Bulge, ground artillery rounds that would all explode just above the target was credited with stopping many of the Germans. No place to hide.

The tubes were required to last 1 hour and no spares were required. Not much was left if you hit or missed. Very little information has been found on which tubes were used. Some tubes of the general type and age are shown. They had long wire leads and were hard wired into their circuits.

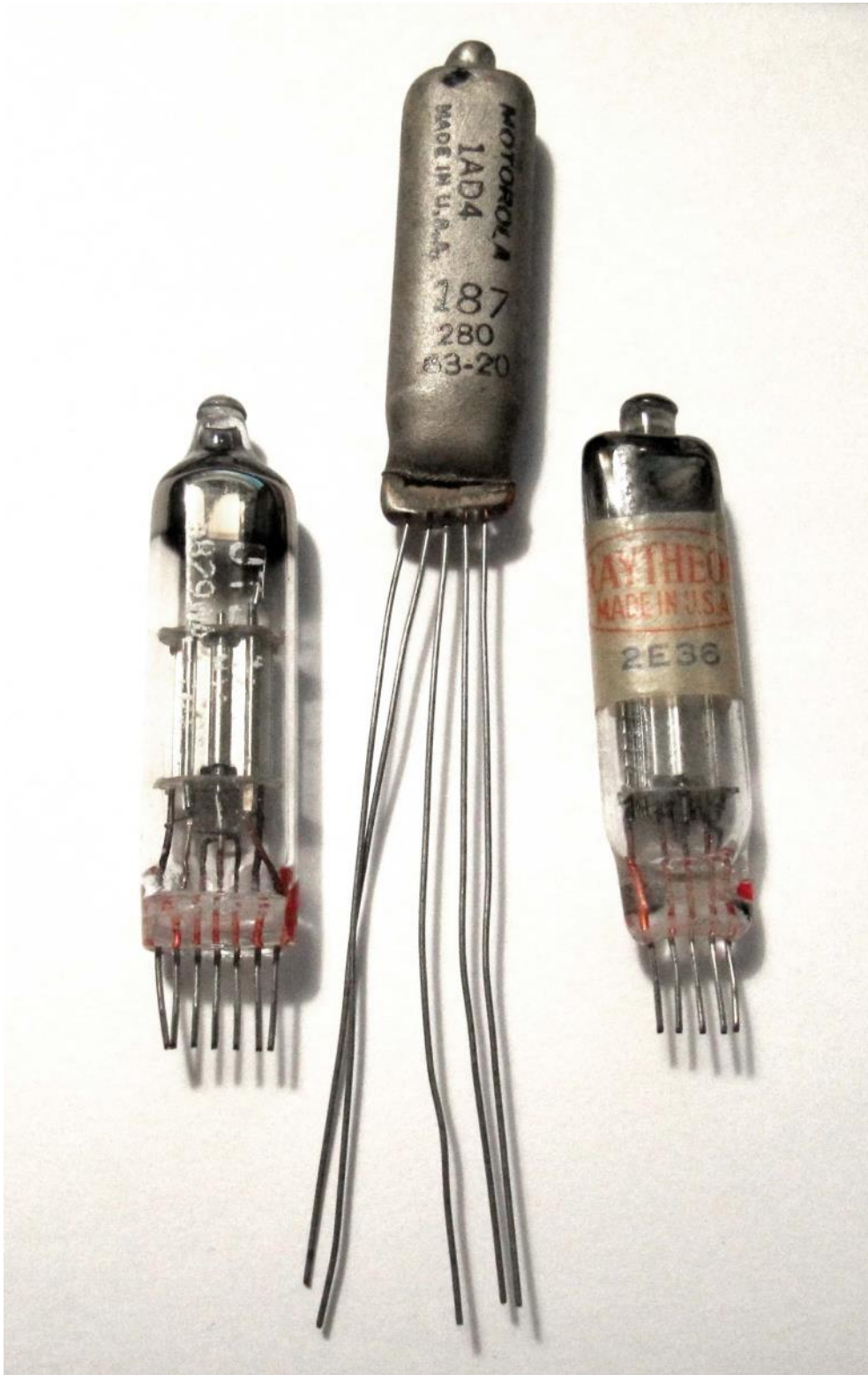
Visit the museum at [N6JV.com](http://N6JV.com)

Norm N6JV

# TUBE OF THE MONTH

Visit the museum at [N6JV.com](http://N6JV.com)

Norm N6JV



## **Election of Officers**

NCCC holds its annual election in April. The Board of Directors consists of President, Vice President/Contest Chairman, Secretary/Treasurer, Past President, and three Directors.

If you are interested in any of the BOD positions, please contact Bob W1RH.

In addition, a volunteer panel steps forward each year to assist the club in its many activities. We're always looking for more volunteers, so if interested, please contact any member of the current BOD.

---

## **Northern California Contest Club Reflector—Guidelines**

This reflector is devoted to the discussion of contesting.

This includes contests, station building, dxpeditions, technical questions, contesting questions, amateur radio equipment wants/sales, score posting, amateur radio meetings/conventions, and membership achievements.

This does not include personal attacks, politics, or off-subject posts which will be considered a violation of the Guidelines.

Violations may result in removal of the violator from the reflector and possibly from club membership in good standing.

---

## **JUG Articles Wanted!**

Without your help we cannot reproduce a quality newsletter so please consider submitting a suitable article!

We welcome any and all relevant articles for inclusion in the JUG.

Deadline is 7 days before month end. Preferred format is MS Word, Arial 12 point and pictures should be full resolution. Send your material to Ian, W6TCP at [w6tcpian@gmail.com](mailto:w6tcpian@gmail.com) Don't worry about the formatting, we can take care of that if necessary !



# Contest Calendar— February page 1

QRP Fox Hunt	0200Z-0330Z, Feb 1
Phone Fray	0230Z-0300Z, Feb 1
CWops Mini-CWT Test	1300Z-1400Z, Feb 1 and 1900Z-2000Z, Feb 1 and 0300Z-0400Z, Feb 2
UKEICC 80m Contest	2000Z-2100Z, Feb 1
NRAU 10m Activity Contest	1800Z-1900Z, Feb 2 (CW) and 1900Z-2000Z, Feb 2 (SSB) and 2000Z-2100Z, Feb 2 (FM) and 2100Z-2200Z, Feb 2 (Dig)
NCCC RTTY Sprint	0145Z-0215Z, Feb 3
QRP Fox Hunt	0200Z-0330Z, Feb 3
NCCC Sprint Ladder	0230Z-0300Z, Feb 3
YLRL YL-OM Contest	1400Z, Feb 3 to 0200Z, Feb 5
Vermont QSO Party	0000Z, Feb 4 to 2400Z, Feb 5
Triathlon DX Contest	0000Z-0759Z, Feb 4 (CW) and 0800Z-1559Z, Feb 4 (SSB) and 1600Z-2359Z, Feb 4 (RTTY)
10-10 Int. Winter Contest, SSB	0001Z, Feb 4 to 2359Z, Feb 5
F9AA Cup, CW	1200Z, Feb 4 to 1200Z, Feb 5
Black Sea Cup International	1200Z, Feb 4 to 1159Z, Feb 5
FYBO Winter QRP Sprint	1400Z-2400Z, Feb 4
Minnesota QSO Party	1400Z-2400Z, Feb 4
British Columbia QSO Party	1600Z, Feb 4 to 0400Z, Feb 5
AGCW Straight Key Party	1600Z-1900Z, Feb 4
FISTS Winter Slow Speed Sprint	1700Z-2100Z, Feb 4
Mexico RTTY International Contest	1800Z, Feb 4 to 1759Z, Feb 5
North American Sprint, CW	0000Z-0400Z, Feb 5
RSGB 80m Club Championship, SSB	2000Z-2130Z, Feb 6
ARS Spartan Sprint	0200Z-0400Z, Feb 7



# Contest Calendar— February page 2

QRP Fox Hunt	0200Z-0330Z, Feb 8
Phone Fray	0230Z-0300Z, Feb 8
CWops Mini-CWT Test	1300Z-1400Z, Feb 8 and 1900Z-2000Z, Feb 8 and 0300Z-0400Z, Feb 9
NCCC RTTY Sprint	0145Z-0215Z, Feb 10
QRP Fox Hunt	0200Z-0330Z, Feb 10
NCCC Sprint Ladder	0230Z-0300Z, Feb 10
CQ WW RTTY WPX Contest	0000Z, Feb 11 to 2359Z, Feb 12
SARL Field Day Contest	1000Z, Feb 11 to 1000Z, Feb 12
Asia-Pacific Spring Sprint, CW	1100Z-1300Z, Feb 11
Dutch PACC Contest	1200Z, Feb 11 to 1200Z, Feb 12
KCJ Topband Contest	1200Z, Feb 11 to 1200Z, Feb 12
SKCC Weekend Sprintathon	1200Z, Feb 11 to 2400Z, Feb 12
OMISS QSO Party	1500Z, Feb 11 to 1500Z, Feb 12
New Hampshire QSO Party	1600Z, Feb 11 to 2200Z, Feb 12
FISTS Winter Unlimited Sprint	1700Z-2100Z, Feb 11
AWA Amplitude Modulation QSO Party	2300Z, Feb 11 to 2300Z, Feb 12
Balkan HF Contest	1200Z-1800Z, Feb 12
CQC Winter QSO Party	0100Z-0259Z, Feb 13
ARRL School Club Roundup	1300Z, Feb 13 to 2359Z, Feb 17
PODXS 070 Club Valentine Sprint	0000Z-2359Z, Feb 14
QRP Fox Hunt	0200Z-0330Z, Feb 15
Phone Fray	0230Z-0300Z, Feb 15
CWops Mini-CWT Test	1300Z-1400Z, Feb 15 and 1900Z-2000Z, Feb 15 and 0300Z-0400Z, Feb 16
AGCW Semi-Automatic Key Evening	1900Z-2030Z, Feb 15
RSGB 80m Club Championship, Data	2000Z-2130Z, Feb 15
NCCC RTTY Sprint	0145Z-0215Z, Feb 17
QRP Fox Hunt	0200Z-0330Z, Feb 17
NCCC Sprint Ladder	0230Z-0300Z, Feb 17
ARRL Inter. DX Contest, CW	0000Z, Feb 18 to 2400Z, Feb 19
Novice Rig Roundup	0000Z, Feb 18 to 2400Z, Feb 26
SARL Youth Day Sprint	0800Z-1000Z, Feb 18



# Contest Calendar— February page 3

Russian PSK WW Contest	1200Z, Feb 18 to 1159Z, Feb 19
Feld Hell Sprint	1900Z-2059Z, Feb 18
Run for the Bacon QRP Contest	0200Z-0400Z, Feb 20
SKCC Sprint	0000Z-0200Z, Feb 22
NAQCC CW Sprint	0130Z-0330Z, Feb 22
QRP Fox Hunt	0200Z-0330Z, Feb 22
Phone Fray	0230Z-0300Z, Feb 22
CWops Mini-CWT Test	1300Z-1400Z, Feb 22 and 1900Z-2000Z, Feb 22 and 0300Z-0400Z, Feb 23
UKEICC 80m Contest	2000Z-2100Z, Feb 22
RSGB 80m Club Championship, CW	2000Z-2130Z, Feb 23
NCCC RTTY Sprint	0145Z-0215Z, Feb 24
QRP Fox Hunt	0200Z-0330Z, Feb 24
NCCC Sprint Ladder	0230Z-0300Z, Feb 24
CQ 160-Meter Contest, SSB	2200Z, Feb 24 to 2200Z, Feb 26
REF Contest, SSB	0600Z, Feb 25 to 1800Z, Feb 26
UBA DX Contest, CW	1300Z, Feb 25 to 1300Z, Feb 26
South Carolina QSO Party	1500Z, Feb 25 to 0159Z, Feb 26
North American QSO Party, RTTY	1800Z, Feb 25 to 0559Z, Feb 26
High Speed Club CW Contest	0900Z-1100Z, Feb 26 and 1500Z-1700Z, Feb 26
SARL Digital Contest	1300Z-1600Z, Feb 26
North Carolina QSO Party	1500Z, Feb 26 to 0059Z, Feb 27

# HAM RADIO OUTLET

14 STORE BUYING POWER!

**ICOM**



**IC-7600 | All Mode Transceiver**

- 100W HF/6m Transceiver, gen cov. receiver • Dual DSP 32 bit • Three roofing filters- 3, 6, 15kHz • 5.8 in WQVGA TFT display • Hi-res real time spectrum scope



**IC-7200 | HF Transceiver**

- 160-10M • 100W • Simple & tough with IF DSP • AGC Loop Management • Digital IF Filter • Digital Twin PBT • Digital Noise Reduction • Digital Noise Blanker • USB Port for PC Control



**IC-7100 | All Mode Transceiver**

- HF/50/144/430/440 MHz Multi-band, Multi-mode, IF DSP • D-STAR DV Mode (Digital Voice + Data) • Intuitive Touch Screen Interface • Built-in RTTY Functions



**ID-5100A | VHF/UHF Dual Band Digital Transceiver**

- Analog FM/D-Star DV Mode • SD Card Slot for Voice & Data Storage • 50W Output on VHF/UHF Bands • Integrated GPS Receiver • AM Airband Dualwatch • FM Analog/DV Repeater List Function

**ID-51A | VHF/UHF Dual Band Transceiver**

- 5/2.5/1.0/0.5/0.1W Output • RX: 0.52-1.71, 88-174, 380-479 MHz\*\* • AM/FM/FM-N/WFM/DV • 1304 Alphanumeric Memory Chls • Integrated GPS • D-STAR Repeater Directory • IPX7 Submersible



**TH-F6A | 2M/220/440**

- Dual channel receive • .1 - 1300 MHz (cell blocked) RX • FM, AM, SSB • 5W 2M/220/440 TX, FM • 435 Memories • Li-Ion Battery

**KENWOOD**



**TS-590SG | HF/50MHz Transceiver**

- Equipped with 500 Hz/2.7 kHz roofing filter as standard • ALC derived from TS-990S eliminating spike issues • Antenna output function (shared with DRV connector) • CW - morse code decoder function



**TM-D710G | 2M/440 Dualband**

- V+V/V+U/U+U operation • Built-in GPS • Built-in TNC for APRS & DX-Cluster operation • 50W 2M & UHF • 1,000 memories • Dual receive • Green or amber backlight colors • Latest APRS firmware w/new features • Sky Command II remote functions



**TM-V71A | 2M/440 Dualband**

- High RF output (50W) • Multiple Scan • Dual receive on same band (VxV, UxU) • Echolink® memory (auto dialer) • Echolink® Sysop mode for node terminal ops • Invertible front panel • Choice of green/amber for LCD panel • 104 code digital code squelch



**TM-281A | 2 Mtr Mobile**

- 65 Watt • 200 Memories • CTCSS/DCS • Mil-Std specs • Hi-quality audio



**FT-60R | 2M/440 5W HT**

- Wide receiver coverage • AM air band receive • 1000 memory channels w/alpha labels • Huge LCD display • Rugged die-cast, water resistant case • NOAA severe weather alert with alert scan

**YAESU**  
The radio



**FT-991 | HF/50MHz/2M/440 Transceiver**

- 160 M-440MHz - SSB/CW/FM/C4FM Digital/AM/RTTY/PSK • 100 W (2M/440: 50 Watts) • 3.5" TFT full-color touch panel operation • High speed spectrum scope • Roofing filters: 3kHz & 15kHz • 32-bit high speed floating point IF DSP



**FTDX1200 | 100W HF + 6M Transceiver**

- Triple Conversion Receiver With 32-bit Floating Point DSP • 40 MHz 1st IF with selectable 3 kHz, 6kHz & 15 kHz Roofing Filters • Optional FFT-1 Supports AF-FFT Scope, RTTY/PSK31 Encode/Decode, CW Decode/Auto Zero-In • Full Color 4.3" TFT Display



**FT-450D | A100W HF + 6M Transceiver**

- 100W HF/6M • Auto tuner built-in • DSP built-in • 500 memories • DNR, IF Notch, IF Shift



**FTM-400DR | 2M/440 Mobile**

- Color display-green, blue, orange, purple, gray • GPS/APRS • Packet 1200/9600 bd ready • Spectrum scope • Bluetooth • MicroSD slot • 500 memory per band



5 Ways to Shop!

- RETAIL LOCATIONS – Store hours 10:00AM - 5:30PM - Closed Sunday
- PHONE – Toll-free phone hours 9:30AM - 5:30PM
- ONLINE – WWW.HAMRADIO.COM
- FAX – All store locations
- MAIL – All store locations

ANAHEIM, CA  
(800) 854-6046

OAKLAND, CA  
(877) 892-1745

SUNNYVALE, CA  
(877) 892-1749

PORTLAND, OR  
(800) 765-4267

PHOENIX, AZ  
(800) 559-7388

WOODBRIIDGE, VA  
(800) 444-4799

PLANO, TX  
(877) 455-8750

BURBANK, CA  
(877) 892-1748

SAN DIEGO, CA  
(877) 520-9623

NEW CASTLE, DE  
(800) 644-4476

DENVER, CO  
(800) 444-9476

ATLANTA, GA  
(800) 444-7927

SALEM, NH  
(800) 444-0047

ONLINE STORE  
WWW.HAMRADIO.COM

Contact HRO for promotion details. Toll-free including Hawaii, Alaska and Canada. Call will be routed to the nearest store. All HRO 800-lines can assist you. If the first line you call is busy, you may call another. AZ, CA, CO, GA, VA residents add sales tax. Prices, specifications and descriptions subject to change without notice.

New Store!